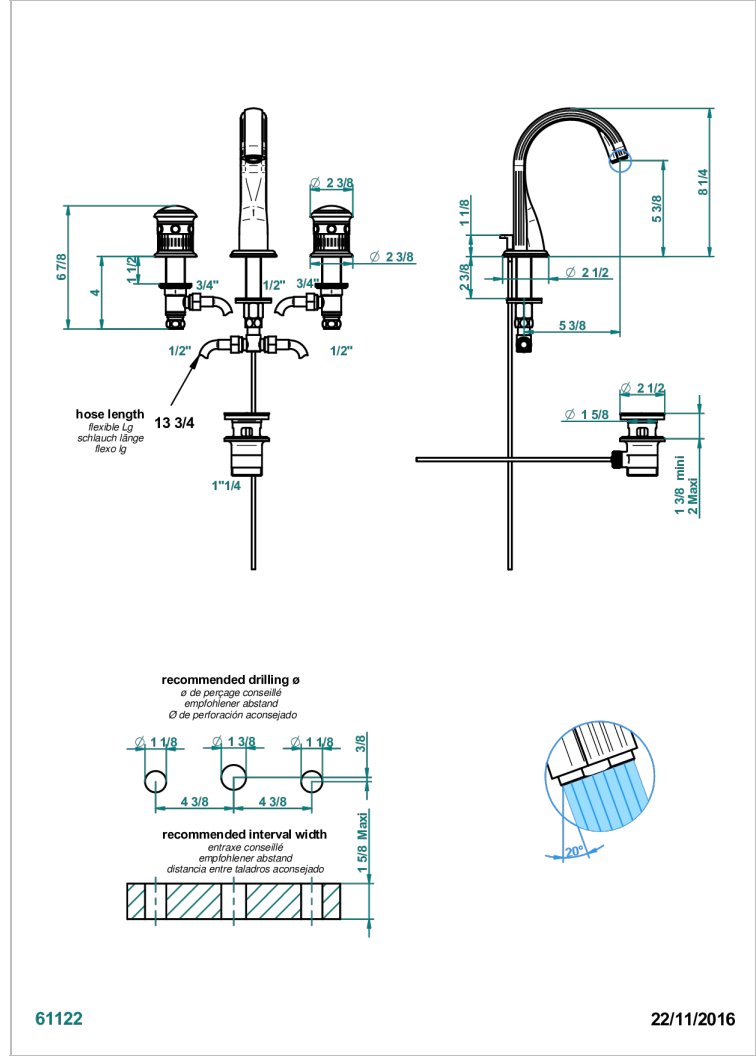


# TROCADERO MALACHITE

U7A-151/W

Rim mounted 3-hole basin mixer with waste - WRAS approved



## CHARACTERISTIC

- WRAS : 1909342

## STANDARDS



## TECHNICAL SPECS

- Recommandé : 3 bars (max. 5 bars) - Advised : 43,5 psi (max. 72 psi)
- 15 l/min à 3 bars (4 gpm at 43.5 psi)

## AVAILABLE FINITIONS

- Antique nickel - H28
- Black ceram - D30
- Blush PVD - H62
- Brass color PVD - H49
- Brown bronze color PVD - F33
- Gold color PVD - H52

- Graphite PVD - H64
- Matt Umber PVD - H67
- Matt blush PVD - H60
- Matt brass color PVD - H50
- Matt brown bronze color PVD - F34
- Matt chrome - C02

- Matt gold - F07
- Matt gold color PVD - H53
- Matt graphite PVD - H65
- Matt nickel (color finish) - C01
- Matt nickel color PVD - H56
- Nickel color PVD - H55

- Polished chrome (color finish) - A02
- Polished chrome / Polished gold (color finish) - G02
- Polished gold (color finish) - F01
- Polished nickel - B01
- Soft gold - F30
- Soft matt gold - F31
- Umber PVD - H66