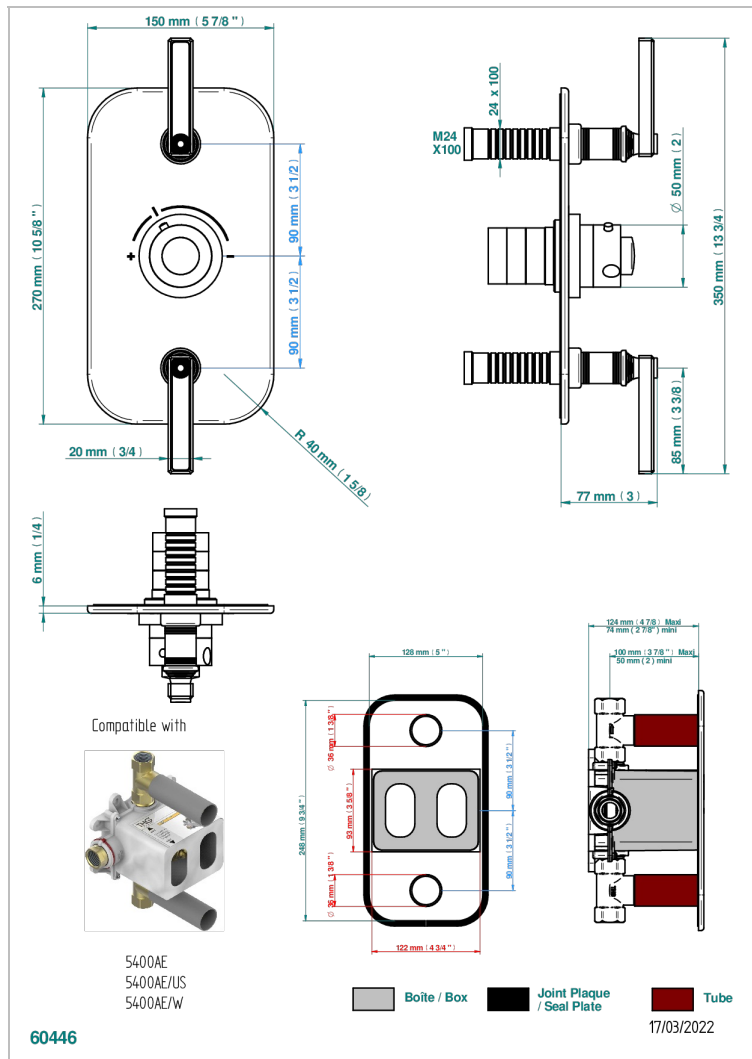
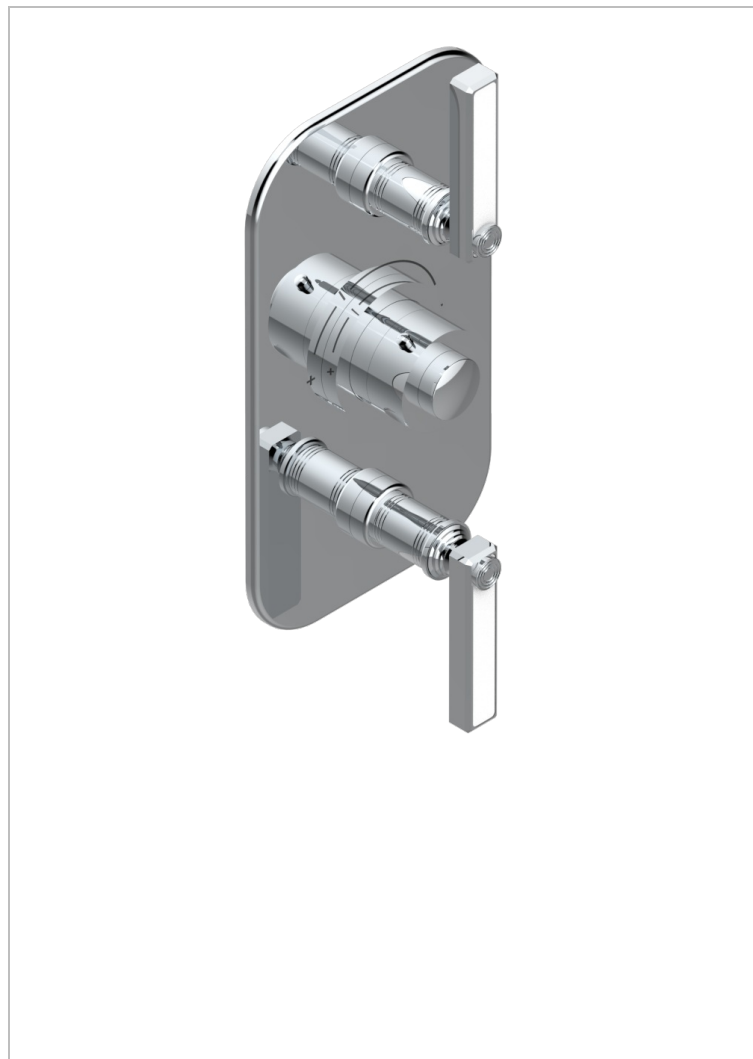


# WEST COAST WHITE ONYX WITH LEVER HANDLES

U9H-5400BE

Trim for THG thermostat with 2 valves - ref. 5 400AE with box for rough parts



## CHARACTERISTIC

- Built-in thermostatic cover for 5400AE - 5400AE/W - 5400AE/US with 2 no. 3/4" outputs
- Requires concealed thermostat réf 5400AE - 5400AE/W - 5400AE/US
- For shower 2 simultaneous functions
- Temperature control knob with security stop at 38°C
- Solid brass plate and knob
- ASME : ASME A112.18.1-2011/CSA B125.1-11
- DVGW : DW-6512CQ0608

## STANDARDS



## RELATED SKU'S

- Ref. G00-5400AE 3/4" THG thermostat, with wax cartridge, with two valves delivered with a built-in box, no trim
- Ref. G00-5100G Reinforced stop ring for THG thermostatic with fixing set

## AVAILABLE FINITIONS

- |                              |                                   |                                  |                                      |  |
|------------------------------|-----------------------------------|----------------------------------|--------------------------------------|--|
| Antique nickel - H28         | Graphite PVD - H64                | Matt chrome - C02                | Natural smoked Brass - A13           | Soft matt gold - F31                                   |
| Black ceram - D30            | Lacquered light bronze - D01      | Matt gold - F07                  | Nickel color PVD - H55               | Umber PVD - H66  |
| Blush PVD - H62              | Matt Umber PVD - H67              | Matt gold color PVD - H53        | Polished chrome (color finish) - A02 | Varnished matt antique red copper (color finish) - H07 |
| Brass color PVD - H49        | Matt blush PVD - H60              | Matt graphite PVD - H65          | Polished gold (color finish) - F01   |  |
| Brown bronze color PVD - F33 | Matt brass color PVD - H50        | Matt nickel (color finish) - C01 | Polished nickel - B01                |  |
| Gold color PVD - H52         | Matt brown bronze color PVD - F34 | Matt nickel color PVD - H56      | Soft gold - F30                      |  |