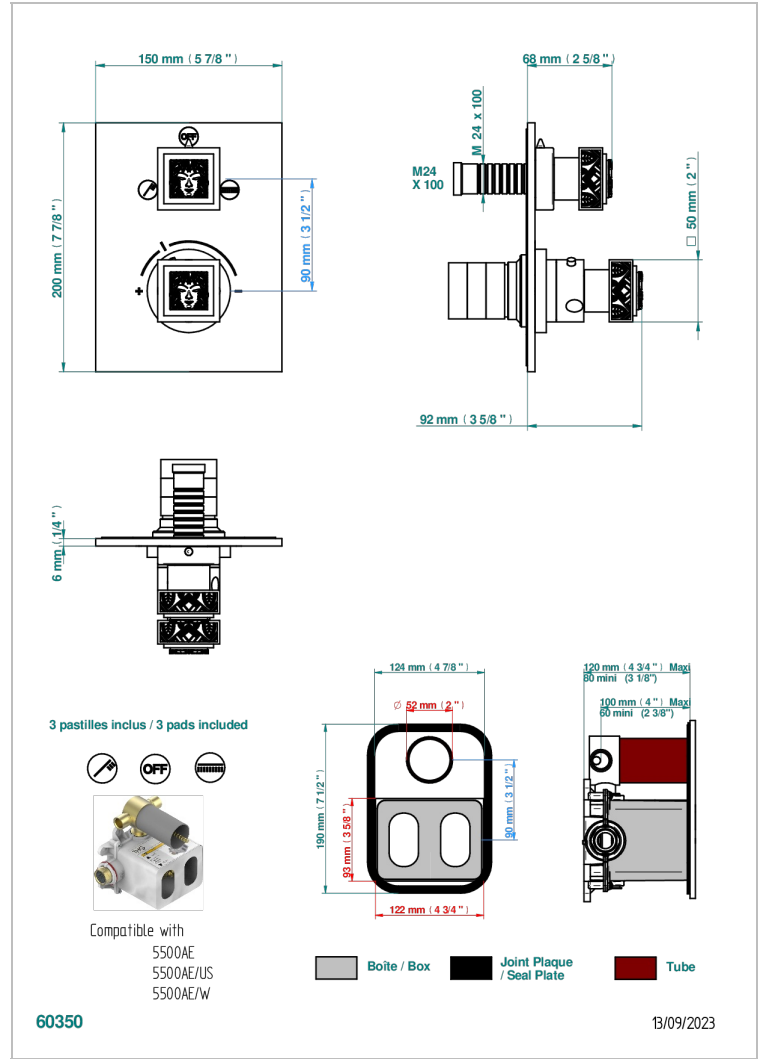
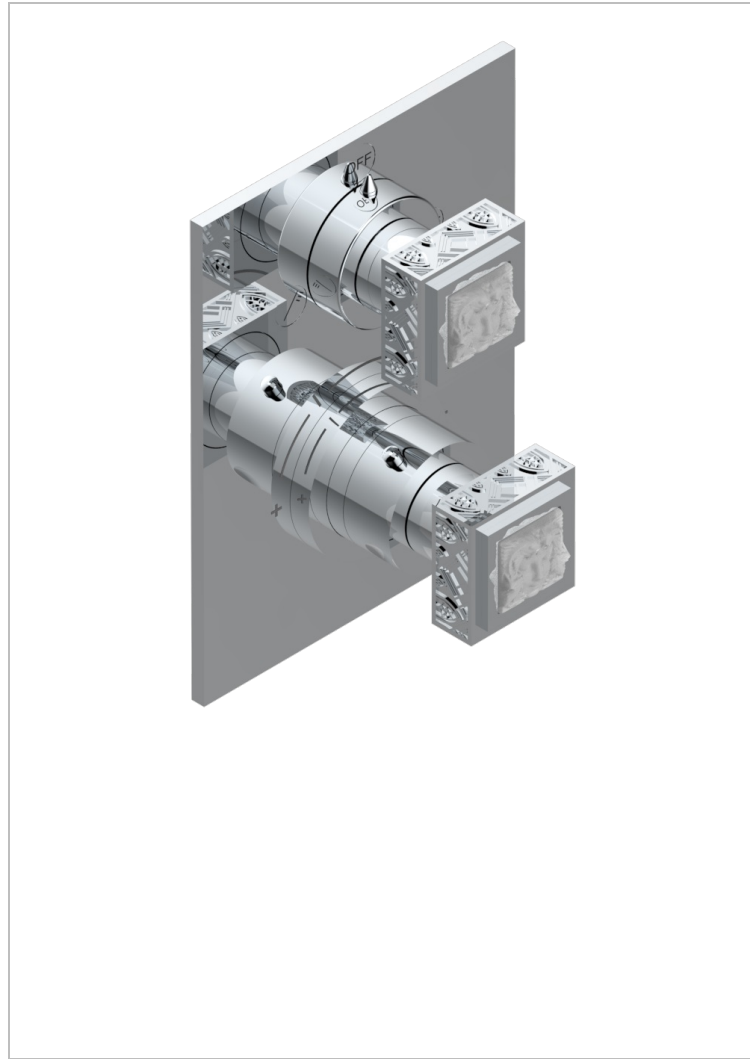


MASQUE DE FEMME ENGRAVED METAL

A2T-5500BE

Trim for THG thermostat with 2-way diverter, rough part supplied with fixing box ref. 5 500AE/US

THG
PARIS



CHARACTERISTIC

- Built-in thermostatic cover for 5500AE - 5500AE/US - 5500AE/W with 2 no.1/2" outputs and 1 stop function
- Requires concealed thermostat Ref 5500AE - 5500AE/US - 5500AE/W
- For Shower 2 functions - non simultaneous -
- Temperature control knob with security stop at 38°C
- Solid brass plate and knob
- ASME : ASME A112.18.1-2011/CSA B125.1-11
- DVGW : DW-6512CQ0608

STANDARDS



RELATED SKU'S

- Ref. G00-5500AE/US 3/4" THG thermostat with 2-way diverter with wax cartridge with stop valve and 2 outlets delivered with a built-in box, no trim
- Ref. G00-5100G Reinforced stop ring for THG thermostatic with fixing set

AVAILABLE FINITIONS

Black ceram - D30
Blush PVD - H62
Brass color PVD - H49
Brown bronze color PVD - F33
Chrome polished - A02
Chrome polished / gold polished - G02

Gold color PVD - H52
Gold mat - F07
Gold polished - F01
Graphite PVD - H64
Matt Umber PVD - H67
Matt blush PVD - H60

Matt brass color PVD - H50
Matt brown bronze color PVD - F34
Matt chrome (American satin) - C02
Matt gold color PVD - H53
Matt graphite PVD - H65
Matt nickel (American satin) - C01

Matt nickel color PVD - H56
Nickel antique / Sovereign - H28
Nickel color PVD - H55
Nickel polished - B01
Soft gold - F30
Soft matt gold - F31

Umber PVD - H66