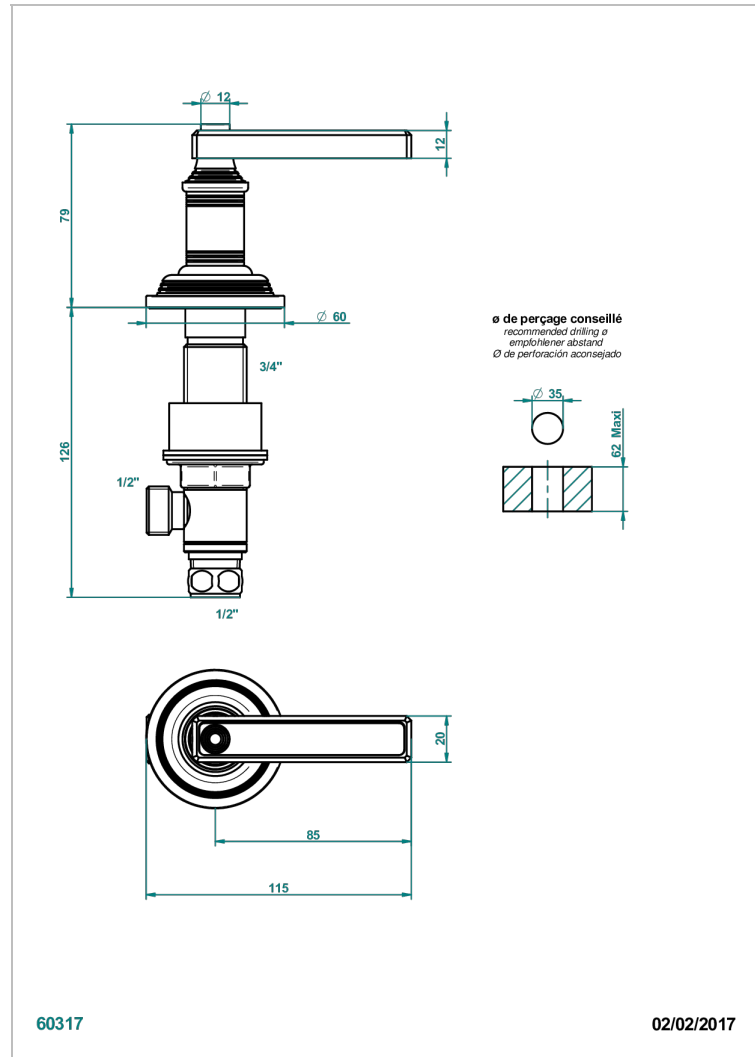
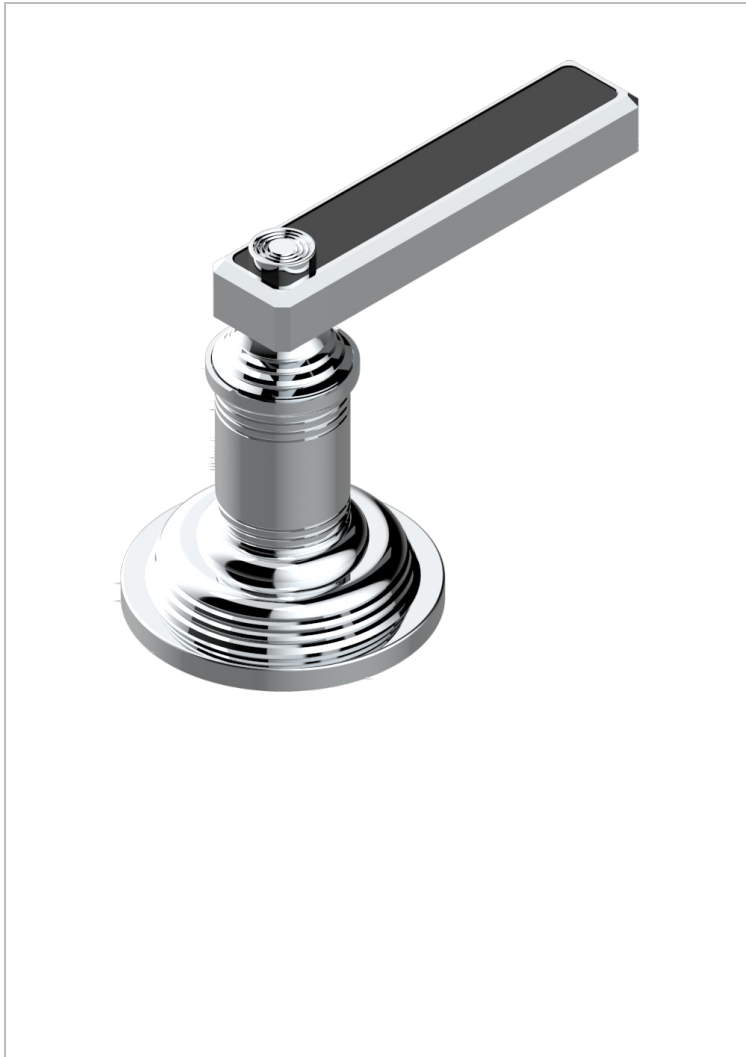


WEST COAST BLACK ONYX WITH LEVER

U9F-35/C

Einbauventil zur Standmontage 1/2", Kalt

THG[®]
PARIS



ø de perçage conseillé
recommended drilling ø
empfohlener abstand
Ø de perforación aconsejado

EIGENSCHAFTEN

- West Coast Black Onyx with lever
- Einbauventil zur Standmontage 1/2", Kalt

VERFÜGBARE OBERFLÄCHEN

Altnickel - H28
Blassgold - F30
Blassgold matt unlackiert - F31
Bronze hell - D01
Chrom - A02
Chrom matt - C02

Gold - F01
Gold matt - F07
Kupfer altrot matt lackiert - H07
Mattschwarz keramik - D30
Natural smoked Brass - A13
Nickel matt - C01

Pvd blush - H62
Pvd blush matt - H60
Pvd bronze braun - F33
Pvd bronze braun matt - F34
Pvd gold - H52
Pvd gold matt - H53

Pvd graphite - H64
Pvd graphite matt - H65
Pvd messing - H49
Pvd messing matt - H50
Pvd nickel - H55
Pvd nickel matt - H56

Pvd umber - H66
Pvd umber matt - H67
Silbernichel - B01