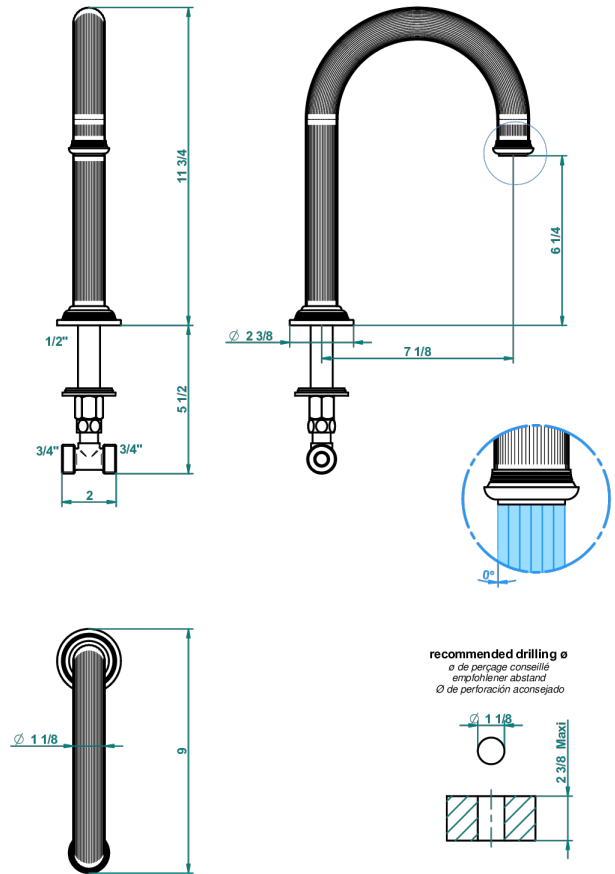


GRAND CENTRAL METAL WITH LEVER

U9L-29SGH

Wanneneinlauf DN 20 zur Standmontage - Super Goliath - Hoch

THG[®]
PARIS



60060

14/02/2017

EIGENSCHAFTEN

- Grand central Metal with lever
- Wanneneinlauf DN 20 zur Standmontage - Super Goliath - Hoch

VERFÜGBARE OBERFLÄCHEN

Altnickel - H28
 Blassgold - F30
 Blassgold matt unlackiert - F31
 Bronze hell - D01
 Chrom - A02
 Chrom matt - C02

Gold - F01
 Gold matt - F07
 Kupfer altrot matt lackiert - H07
 Mattschwarz keramik - D30
 Natural smoked Brass - A13
 Nickel matt - C01

Polished chrome with gold inlay - GA1
 Pvd blush - H62
 Pvd blush matt - H60
 Pvd bronze braun - F33
 Pvd bronze braun matt - F34
 Pvd gold - H52

Pvd gold matt - H53
 Pvd graphite - H64
 Pvd graphite matt - H65
 Pvd messing - H49
 Pvd messing matt - H50
 Pvd nickel - H55

Pvd nickel matt - H56
 Pvd umber - H66
 Pvd umber matt - H67
 Silbernichel - B01