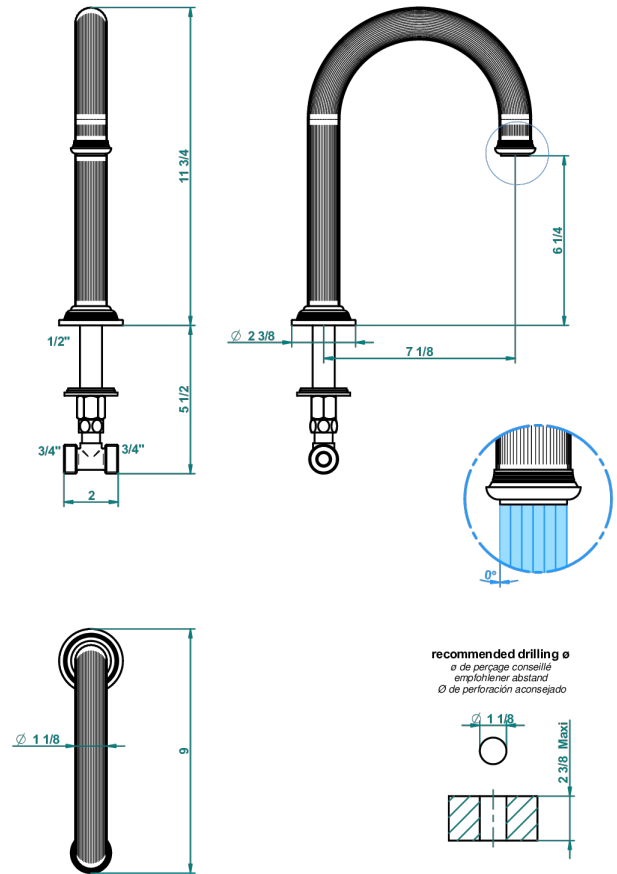


GRAND CENTRAL METAL

U9K-29SGH

Wanneneinlauf DN 20 zur Standmontage - Super Goliath - Hoch

THG[®]
PARIS



60060

14/02/2017

EIGENSCHAFTEN

- Grand central Metal
- Wanneneinlauf DN 20 zur Standmontage - Super Goliath - Hoch

VERFÜGBARE OBERFLÄCHEN

Altnickel - H28
Blassgold - F30
Blassgold matt unlackiert - F31
Bronze hell - D01
Chrom - A02
Chrom matt - C02

Gold - F01
Gold matt - F07
Kupfer altrot matt lackiert - H07
Mattschwarz keramik - D30
Natural smoked Brass - A13
Nickel matt - C01

Polished chrome with gold inlay - GA1
Pvd blush - H62
Pvd blush matt - H60
Pvd bronze braun - F33
Pvd bronze braun matt - F34
Pvd gold - H52

Pvd gold matt - H53
Pvd graphite - H64
Pvd graphite matt - H65
Pvd messing - H49
Pvd messing matt - H50
Pvd nickel - H55

Pvd nickel matt - H56
Pvd umber - H66
Pvd umber matt - H67
Silbernickel - B01