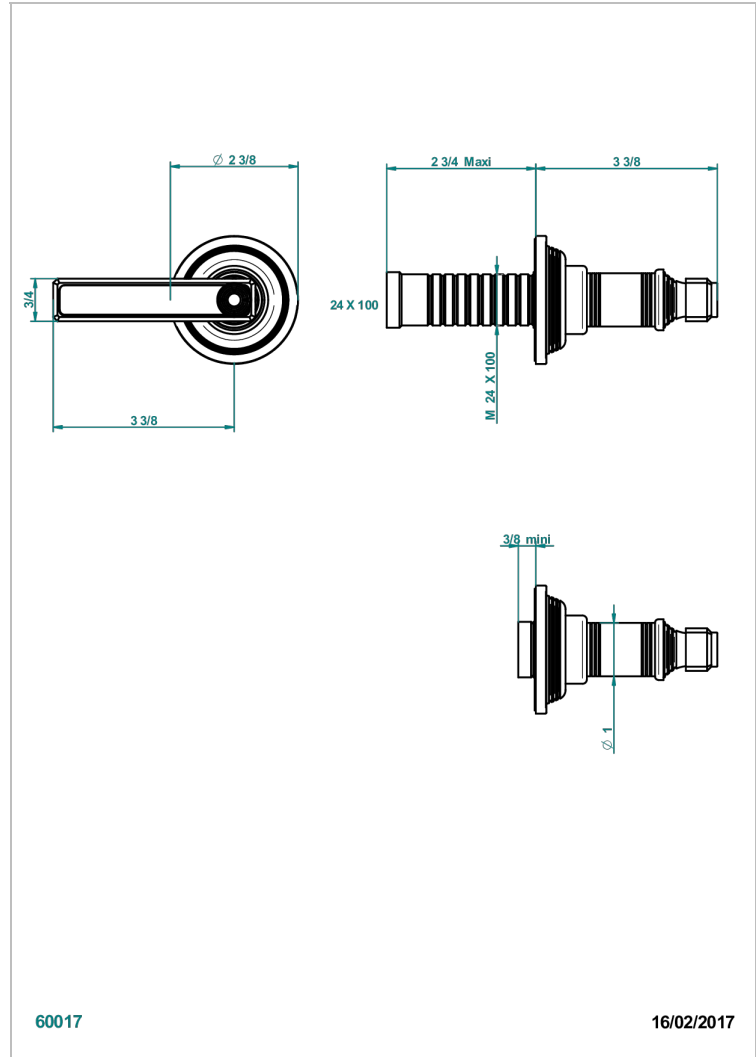


WEST COAST METAL WITH LEVER

U9B-30B

Trim only for wall valve 1/2" ref.30/CA & 30/HA and 3/4" ref.32/CA & 32/HA and diverter ref.50/4VMA



60017

16/02/2017

CHARACTERISTIC

- West Coast Metal with lever
- Trim only for wall valve 1/2" ref.30/CA & 30/HA and 3/4" ref.32/CA & 32/HA and diverter ref.50/4VMA

RELATED SKU'S

- Ref. G00-30/CA Wall mounted 1/2" valve body with ceramic head, 1/4 turn left - no trim
- Ref. G00-30/HA Wall mounted 1/2" valve body with ceramic head, 1/4 turn right
- Ref. G00-32/CA Wall mounted 3/4" valve with ceramic head, 1/4 turn left - no trim
- Ref. G00-32/HA Wall mounted 3/4" valve body with ceramic head, 1/4 turn right - no trim

AVAILABLE FINITIONS

Antique nickel - H28
Black ceram - D30
Blush PVD - H62
Brass color PVD - H49
Brown bronze color PVD - F33
Gold color PVD - H52

Graphite PVD - H64
Lacquered light bronze - D01
Matt Umber PVD - H67
Matt blush PVD - H60
Matt brass color PVD - H50
Matt brown bronze color PVD - F34

Matt chrome - C02
Matt gold - F07
Matt gold color PVD - H53
Matt graphite PVD - H65
Matt nickel (color finish) - C01
Matt nickel color PVD - H56

Natural smoked Brass - A13
Nickel color PVD - H55
Polished chrome (color finish) - A02
Polished chrome with gold inlay - GA1
Polished gold (color finish) - F01
Polished nickel - B01

Soft gold - F30
Soft matt gold - F31
Umber PVD - H66
Varnished matt antique red copper (color finish) - H07