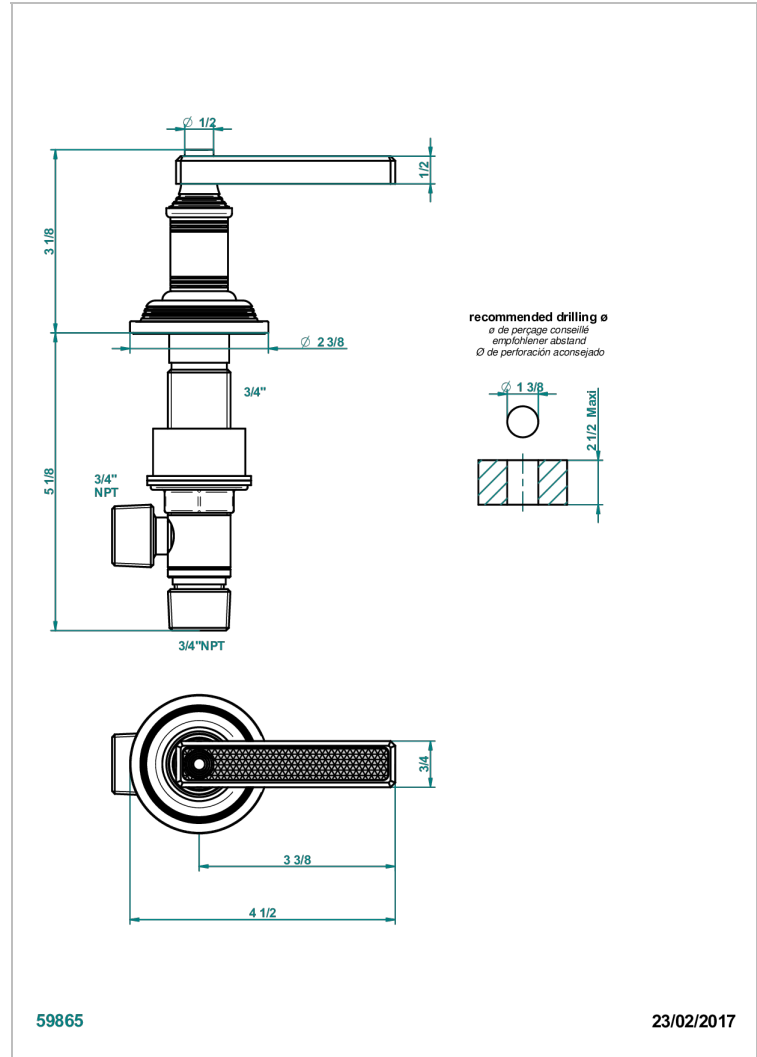


WEST COAST WITH GUILLOCHE DECOR WITH LEVER HANDLES

U9D-36/CUS

3/4" deck valve with trim - Cold



CHARACTERISTIC

- ASME : ASME A112.18.1-2011/CSA B125.1-11

STANDARDS



AVAILABLE FINITIONS

- | | | | | |
|-----------------------------------|---------------------------|------------------------------------|------------------------------------|---------------------------------------|
| Black ceram - D30 | Gold color PVD - H52 | Matt blush PVD - H60 | Matt nickel (American satin) - C01 | Polished chrome with gold inlay - GA1 |
| Blush PVD - H62 | Gold mat - F07 | Matt brass color PVD - H50 | Matt nickel color PVD - H56 | Soft gold - F30 |
| Brass color PVD - H49 | Gold polished - F01 | Matt brown bronze color PVD - F34 | Natural smoked Brass - A13 | Soft matt gold - F31 |
| Brown bronze color PVD - F33 | Graphite PVD - H64 | Matt chrome (American satin) - C02 | Nickel antique / Sovereign - H28 | Umber PVD - H66 |
| Chrome polished - A02 | Light coated bronze - D01 | Matt gold color PVD - H53 | Nickel color PVD - H55 | |
| Copper antique matt, coated - H07 | Matt Umber PVD - H67 | Matt graphite PVD - H65 | Nickel polished - B01 | |