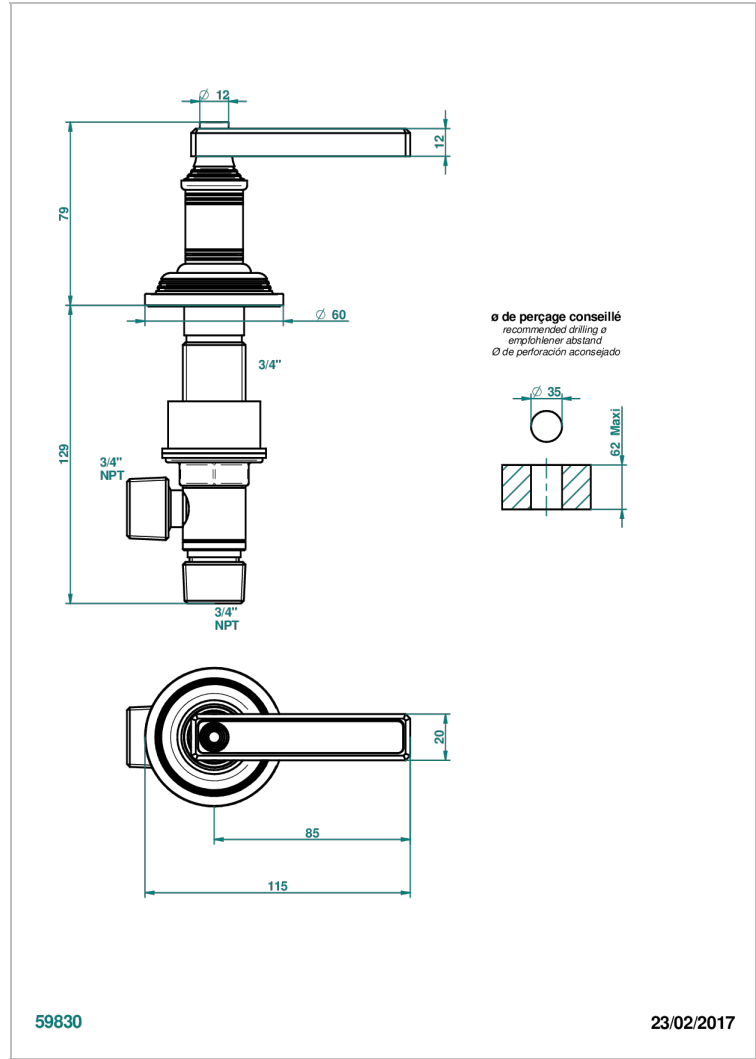


# WEST COAST METAL WITH LEVER HANDLES

U9B-36/CUS

3/4" deck valve with trim - Cold



## CHARACTERISTIC

- ASME : ASME A112.18.1-2011/CSA B125.1-11

## STANDARDS



## AVAILABLE FINITIONS

Black ceram - D30  
Blush PVD - H62  
Brass color PVD - H49  
Brown bronze color PVD - F33  
Chrome polished - A02  
Copper antique matt, coated - H07

Gold color PVD - H52  
Gold mat - F07  
Gold polished - F01  
Graphite PVD - H64  
Light coated bronze - D01  
Matt Umber PVD - H67

Matt blush PVD - H60  
Matt brass color PVD - H50  
Matt brown bronze color PVD - F34  
Matt chrome (American satin) - C02  
Matt gold color PVD - H53  
Matt graphite PVD - H65

Matt nickel (American satin) - C01  
Matt nickel color PVD - H56  
Natural smoked Brass - A13  
Nickel antique / Sovereign - H28  
Nickel color PVD - H55  
Nickel polished - B01

Polished chrome with gold inlay - GA1  
Soft gold - F30  
Soft matt gold - F31  
Umber PVD - H66