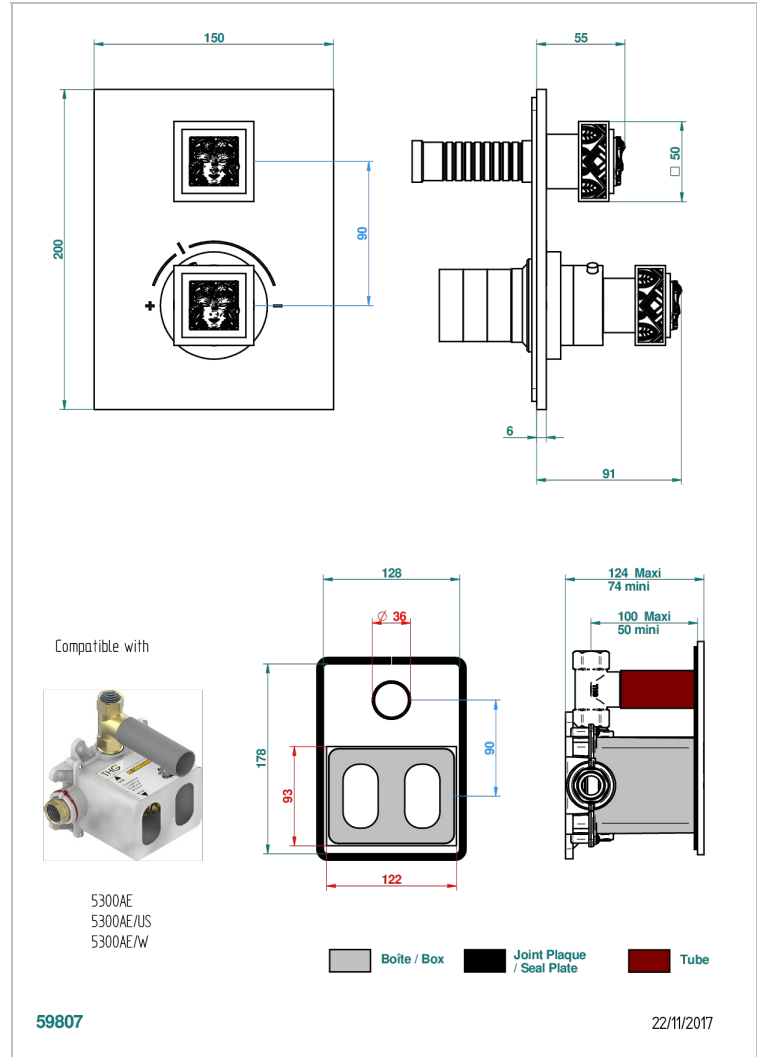
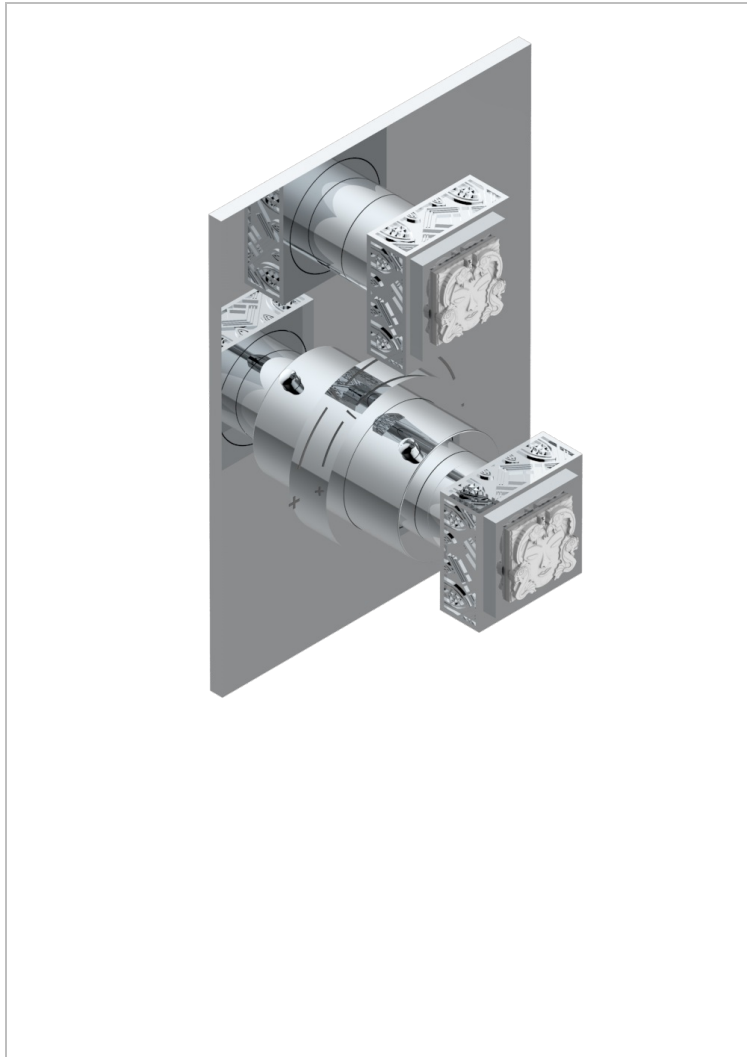


# MASQUE DE FEMME ENGRAVED METAL

A2T-5300BE

Trim for THG thermostat 1 volume control, rough part supplied with fixing box ref.5 300AE/US

THG  
PARIS



## CHARACTERISTIC

- Built-in thermostatic cover for 5300AE - 5300AE/W - 5300AE/US with 1 no. 3/4" output
- Requires concealed thermostat réf 5300AE - 5300AE/W - 5300AE/US
- For shower 1 function
- Temperature control knob with security stop at 38°C
- Solid brass plate and knob
- ASME : ASME A112.18.1-2011/CSA B125.1-11
- DVGW : DW-6512CQ0608

## STANDARDS



## RELATED SKU'S

- Ref. G00-5300AE/US 3/4" THG thermostat, 60 l/mn with wax cartridge, with valve delivered, with a built-in box, no trim
- Ref. G00-5100G Reinforced stop ring for THG thermostatic with fixing set

## AVAILABLE FINITIONS

Black ceram - D30  
Blush PVD - H62  
Brass color PVD - H49  
Brown bronze color PVD - F33  
Chrome polished - A02  
Chrome polished / gold polished - G02

Gold color PVD - H52  
Gold mat - F07  
Gold polished - F01  
Graphite PVD - H64  
Matt Umber PVD - H67  
Matt blush PVD - H60

Matt brass color PVD - H50  
Matt brown bronze color PVD - F34  
Matt chrome (American satin) - C02  
Matt gold color PVD - H53  
Matt graphite PVD - H65  
Matt nickel (American satin) - C01

Matt nickel color PVD - H56  
Nickel antique / Sovereign - H28  
Nickel color PVD - H55  
Nickel polished - B01  
Soft gold - F30  
Soft matt gold - F31

Umber PVD - H66