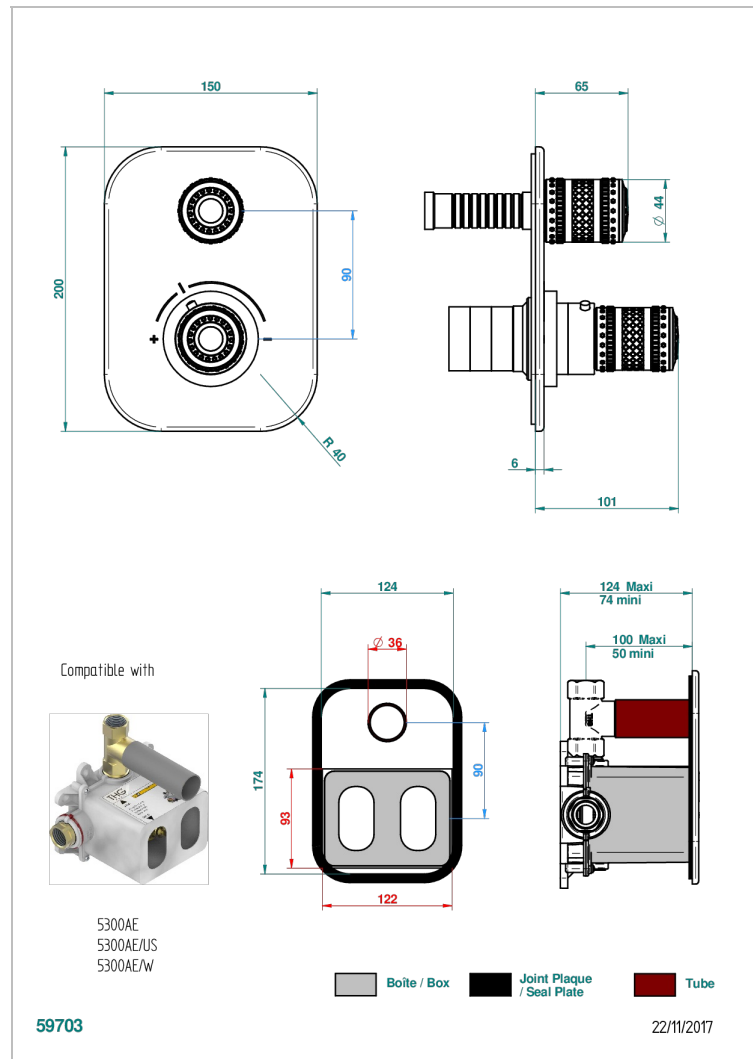
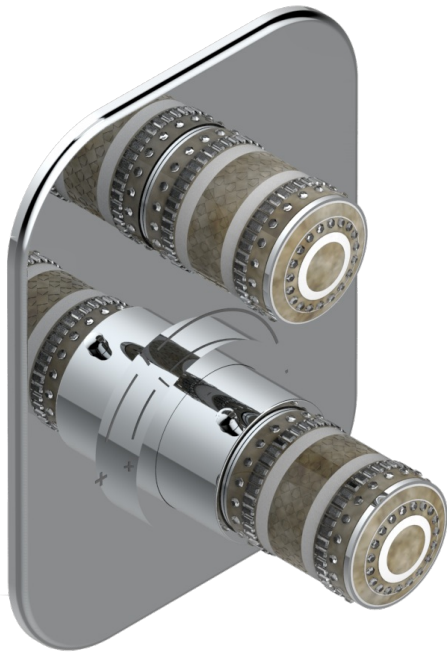


# MONTE CARLO, WHITE GOLD PORCELAIN

U8C-5300BE

Trim for THG thermostat 1 volume control, rough part supplied with fixing box ref.5 300AE/US

THG<sup>®</sup>  
PARIS



## CHARACTERISTIC

- Built-in thermostatic cover for 5300AE - 5300AE/W - 5300AE/US with 1 no. 3/4" output
- Requires concealed thermostat réf 5300AE - 5300AE/W - 5300AE/US
- For shower 1 function
- Temperature control knob with security stop at 38°C
- Solid brass plate and knob
- ASME : ASME A112.18.1-2011/CSA B125.1-11
- DVGW : DW-6512CQ0608

## STANDARDS



## RELATED SKU'S

- Ref. G00-5300AE/US 3/4" THG thermostat, 60 l/mn with wax cartridge, with valve delivered, with a built-in box, no trim
- Ref. G00-5100G Reinforced stop ring for THG thermostatic with fixing set

## AVAILABLE FINITIONS

Black ceram - D30  
 Chrome polished - A02  
 Chrome polished / gold polished - G02  
 Copper antique matt, coated - H07  
 Gold mat - F07  
 Gold polished - F01

Light coated bronze - D01  
 Matt chrome (American satin) - C02  
 Matt nickel (American satin) - C01  
 Nickel antique / Sovereign - H28  
 Nickel polished - B01  
 Soft gold - F30

Soft matt gold - F31