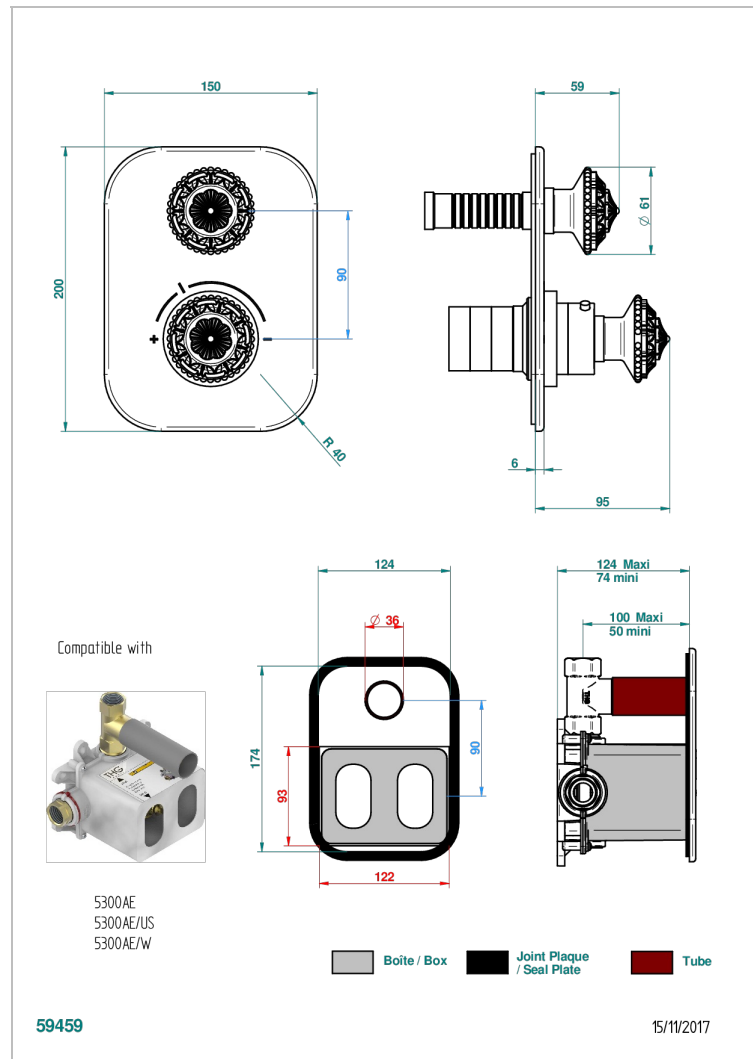


# AMOUR DE TRIANON

G24-5300BE

Trim for THG thermostat with valve - ref. 5 300AE with box for rough parts

THG  
PARIS



## CHARACTERISTIC

- Built-in thermostatic cover for 5300AE - 5300AE/W - 5300AE/US with 1 no. 3/4" output
- Requires concealed thermostat réf 5300AE - 5300AE/W - 5300AE/US
- For shower 1 function
- Temperature control knob with security stop at 38°C
- Solid brass plate and knob
- ASME : ASME A112.18.1-2011/CSA B125.1-11
- DVGW : DW-6512CQ0608

## STANDARDS



## RELATED SKU'S

- Ref. G00-5300AE 3/4" THG thermostat, 60 l/mn with wax cartridge, with valve delivered, with a built-in box, no trim
- Ref. G00-5100G Reinforced stop ring for THG thermostatic with fixing set

## AVAILABLE FINITIONS

Antique nickel - H28  
Black ceram - D30  
Lacquered light bronze - D01  
Matt chrome - C02  
Matt gold - F07  
Matt nickel (color finish) - C01

Polished chrome (color finish) - A02  
Polished chrome / Polished gold (color finish) - G02  
Polished gold (color finish) - F01  
Polished nickel - B01  
Soft gold - F30  
Soft matt gold - F31

Varnished matt antique red copper (color finish) - H07