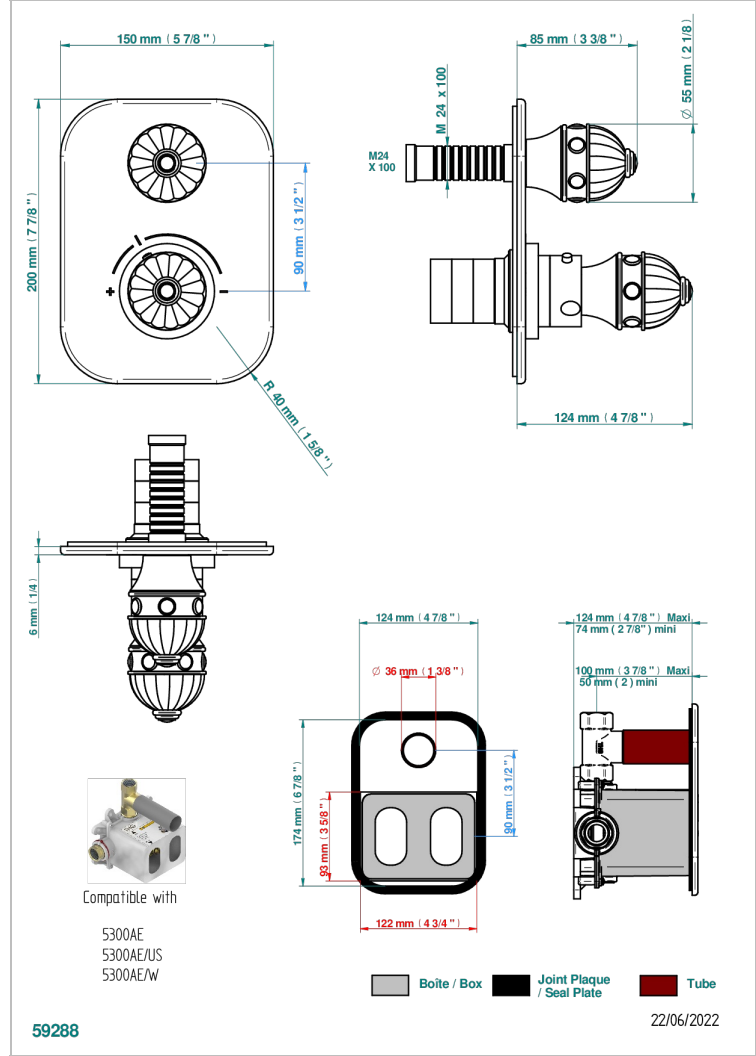
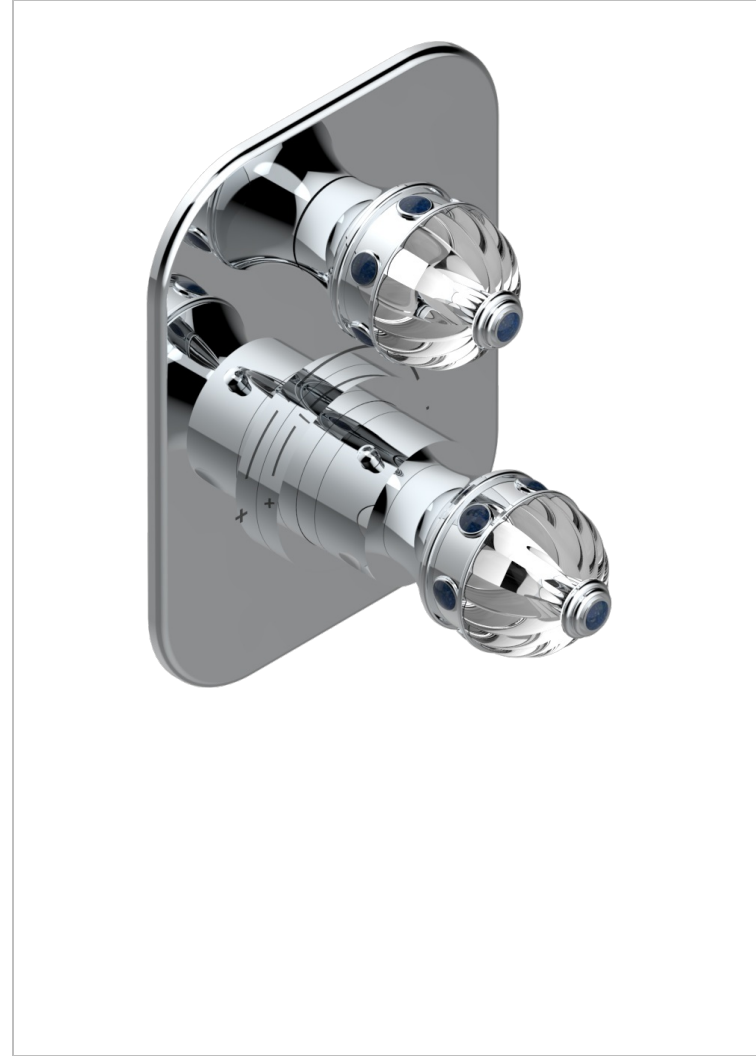


# AMBOISE LAPIS LAZULI

A1K-5300BE

Trim for THG thermostat with valve - ref. 5 300AE with box for rough parts



## CHARACTERISTIC

- Built-in thermostatic cover for 5300AE - 5300AE/W - 5300AE/US with 1 no. 3/4" output
- Requires concealed thermostat réf 5300AE - 5300AE/W - 5300AE/US
- For shower 1 function
- Temperature control knob with security stop at 38°C
- Solid brass plate and knob
- ASME : ASME A112.18.1-2011/CSA B125.1-11
- DVGW : DW-6512CQ0608

## STANDARDS



## RELATED SKU'S

- Ref. G00-5300AE 3/4" THG thermostat, 60 l/mn with wax cartridge, with valve delivered, with a built-in box, no trim
- Ref. G00-5100G Reinforced stop ring for THG thermostatic with fixing set

## AVAILABLE FINITIONS

- |                              |                                   |                                  |  |                 |
|------------------------------|-----------------------------------|----------------------------------|--|-----------------|
| Antique nickel - H28         | Graphite PVD - H64                | Matt gold - F07                  | Polished chrome (color finish) - A02                 | Umber PVD - H66 |
| Black ceram - D30            | Matt Umber PVD - H67              | Matt gold color PVD - H53        | Polished chrome / Polished gold (color finish) - G02 |                 |
| Blush PVD - H62              | Matt blush PVD - H60              | Matt graphite PVD - H65          | Polished gold (color finish) - F01                   |                 |
| Brass color PVD - H49        | Matt brass color PVD - H50        | Matt nickel (color finish) - C01 | Polished nickel - B01                                |                 |
| Brown bronze color PVD - F33 | Matt brown bronze color PVD - F34 | Matt nickel color PVD - H56      | Soft gold - F30                                      |                 |
| Gold color PVD - H52         | Matt chrome - C02                 | Nickel color PVD - H55           | Soft matt gold - F31                                 |                 |