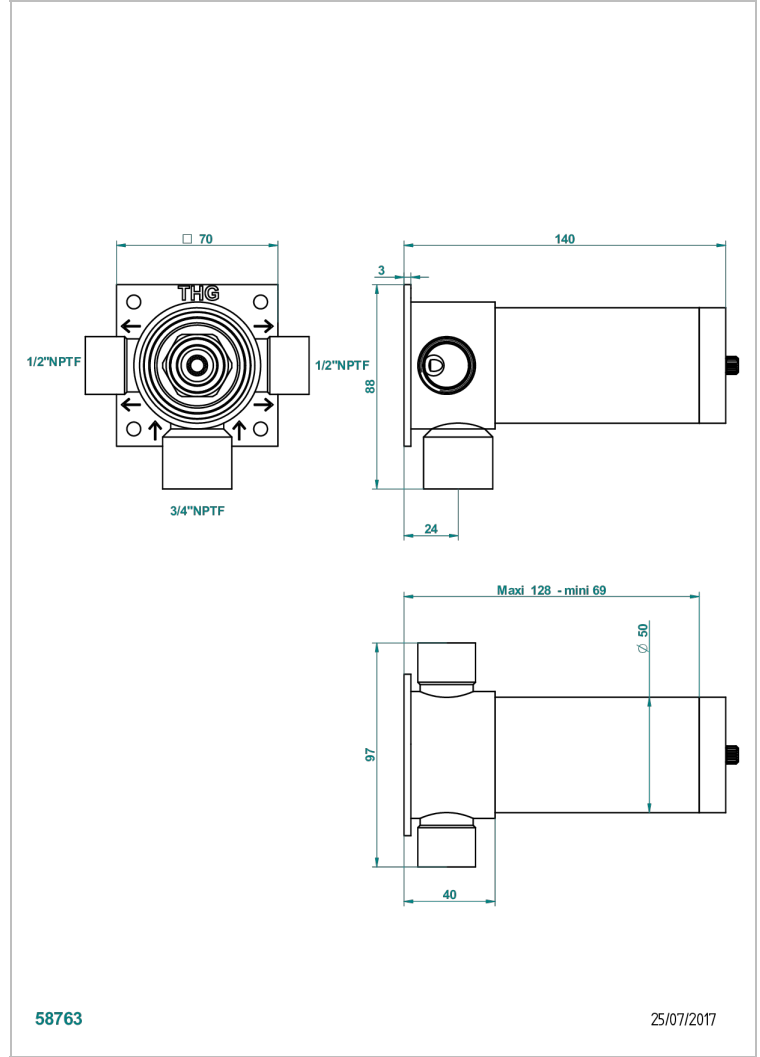
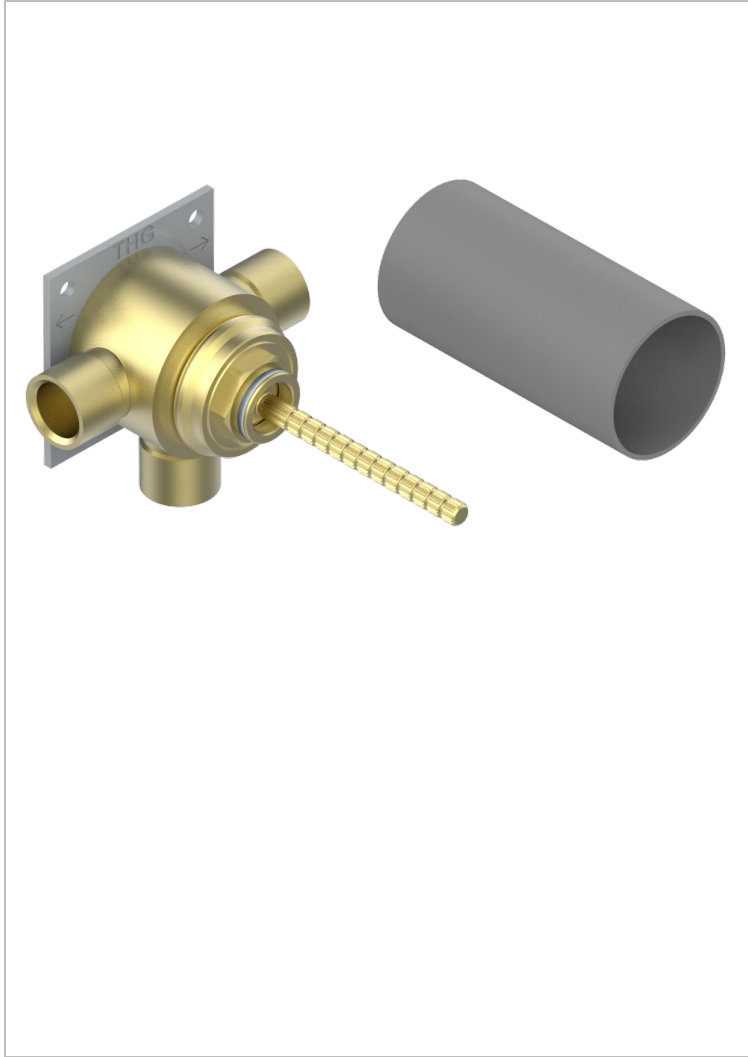


Wall mounted 3-way diverter with ceramic cartridge for concealed installation- 1 inlet 3/4" and 2 outlets 1/2" with positive top, no shared ports - no trim



### CARACTERÍSTICAS

- ASME : ASME A112.18.1-2011/CSA B125.1-11

### ESTÁNDAR



### ACABADOS DISPONIBLES

\*\*\* - A00

### ESPECIFICACIONES TÉCNICAS

- Recommandé : 3 bars (max. 5 bars) - Advised : 43,5 psi (max. 72 psi)
- 40 l/min à 3 bars (10.6 gpm at 43.5 psi)

58763

25/07/2017