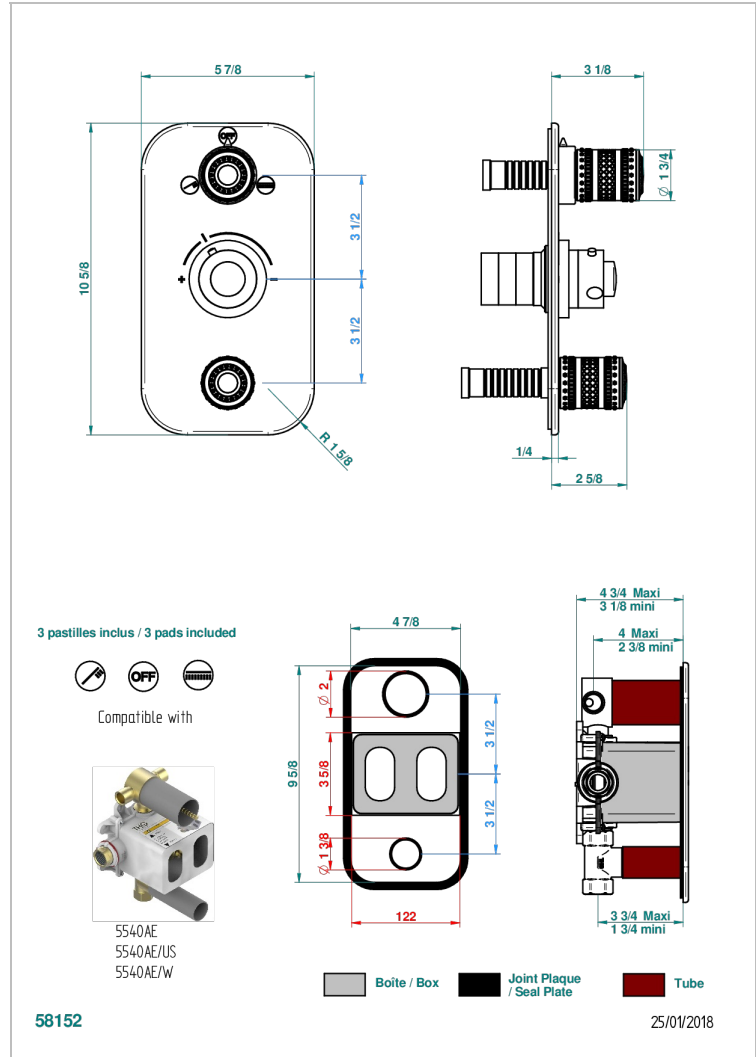


Trim for THG thermostat 3 functions , with one off function and 2 outlets and one single off function - ref. 5 540AE with box for rough parts



### CHARACTERISTIC

- Built-in thermostatic cover for 5540AE with 3 outputs (1 x 3/4' and 2 x 1/2')
- Requires concealed thermostat Réf. 5540AE - 5540AE/US - 5540AE/W
- Output high : ceramic diverter with 2 functions and stopvalve
- Output downwards : 1/4' turn of 3/4' stopvalve
- For Shower 3 functions - 2 functions can operate simultaneously
- Temperature control knob with security stop at 38°C
- Solid brass plate and knob
- ASME : ASME A112.18.1-2011/CSA B125.1-11
- DVGW : DW-6512CQ0608

### STANDARDS



### RELATED SKU'S

- Ref. G00-5100G Reinforced stop ring for THG thermostatic with fixing set
- Ref. G00-5540AE Thg thermostat with wax cartridge, 3 functions with stop valve and 2 outlets (stop position between outlets) and another stop valve, delivered with a built-in box, no trim

### AVAILABLE FINITIONS

Antique nickel - H28  
Black ceram - D30  
Lacquered light bronze - D01  
Matt chrome - C02  
Matt gold - F07  
Matt nickel (color finish) - C01

Polished chrome (color finish) - A02  
Polished chrome / Polished gold (color finish) - G02  
Polished gold (color finish) - F01  
Polished nickel - B01  
Soft gold - F30  
Soft matt gold - F31

Varnished matt antique red copper (color finish) - H07