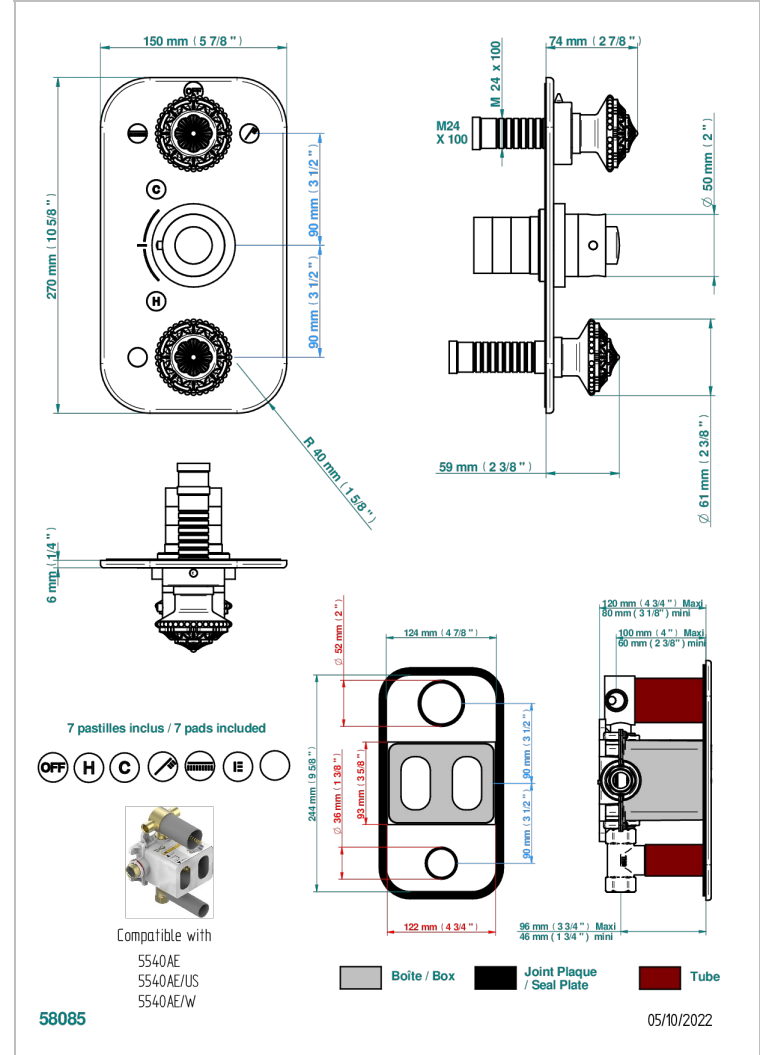
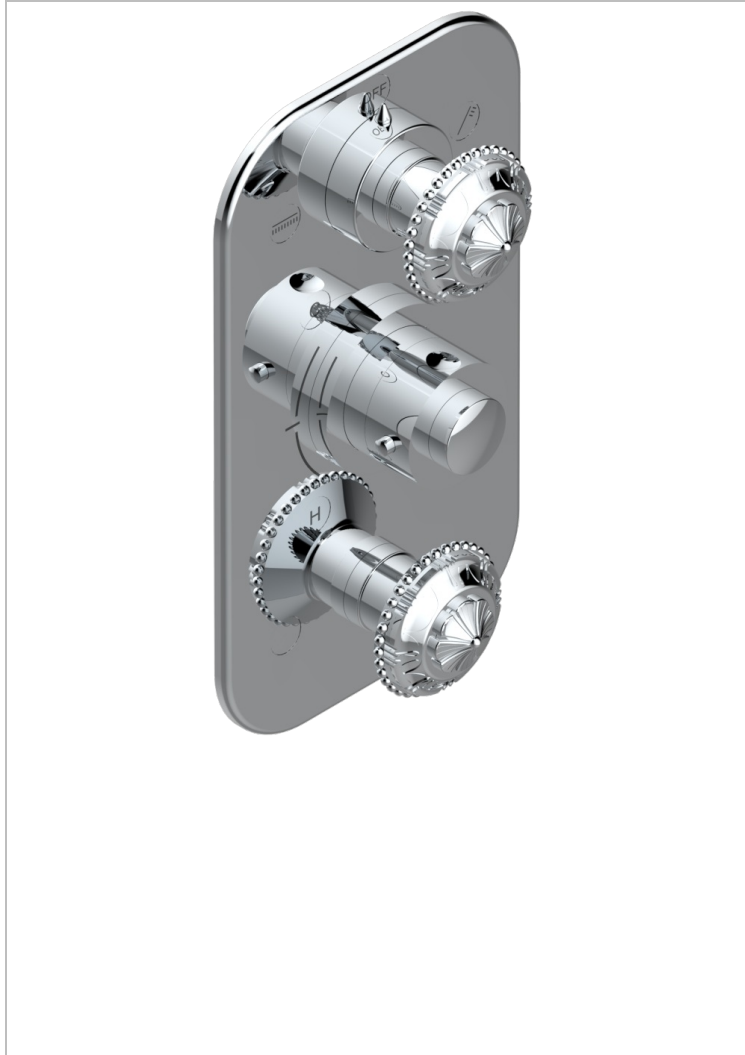


G14-5540BE

Trim for THG thermostat 3 functions , with one off function and 2 outlets and one single off function - rough part supplied with fixing box ref. 5 540AE/US



## CHARACTERISTIC

- Built-in thermostatic cover for 5540AE with 3 outputs (1 x 3/4' and 2 x 1/2')
- Requires concealed thermostat Réf. 5540AE - 5540AE/US - 5540AE/W
- Output high : ceramic diverter with 2 functions and stopvalve
- Output downwards : 1/4' turn of 3/4' stopvalve
- For Shower 3 functions - 2 functions can operate simultaneously
- Temperature control knob with security stop at 38°C
- Solid brass plate and knob
- ASME : ASME A112.18.1-2011/CSA B125.1-11
- DVGW : DW-6512CQ0608

## STANDARDS



## RELATED SKU'S

- Ref. G00-5100G Reinforced stop ring for THG thermostatic with fixing set
- Ref. G00-5540AE/US Thg thermostat with wax cartridge with one stop valve, 2 outlets and another stop valve, delivered with a built-in box, no trim

## AVAILABLE FINITIONS

Black ceram - D30  
 Blush PVD - H62  
 Brass color PVD - H49  
 Brown bronze color PVD - F33  
 Chrome polished - A02  
 Chrome polished / gold polished - G02

Copper antique matt, coated - H07  
 Gold color PVD - H52  
 Gold mat - F07  
 Gold polished - F01  
 Graphite PVD - H64  
 Light coated bronze - D01

Matt Umber PVD - H67  
 Matt blush PVD - H60  
 Matt brass color PVD - H50  
 Matt brown bronze color PVD - F34  
 Matt chrome (American satin) - C02  
 Matt gold color PVD - H53

Matt graphite PVD - H65  
 Matt nickel (American satin) - C01  
 Matt nickel color PVD - H56  
 Nickel antique / Sovereign - H28  
 Nickel color PVD - H55  
 Nickel polished - B01

Soft gold - F30  
 Soft matt gold - F31  
 Umber PVD - H66