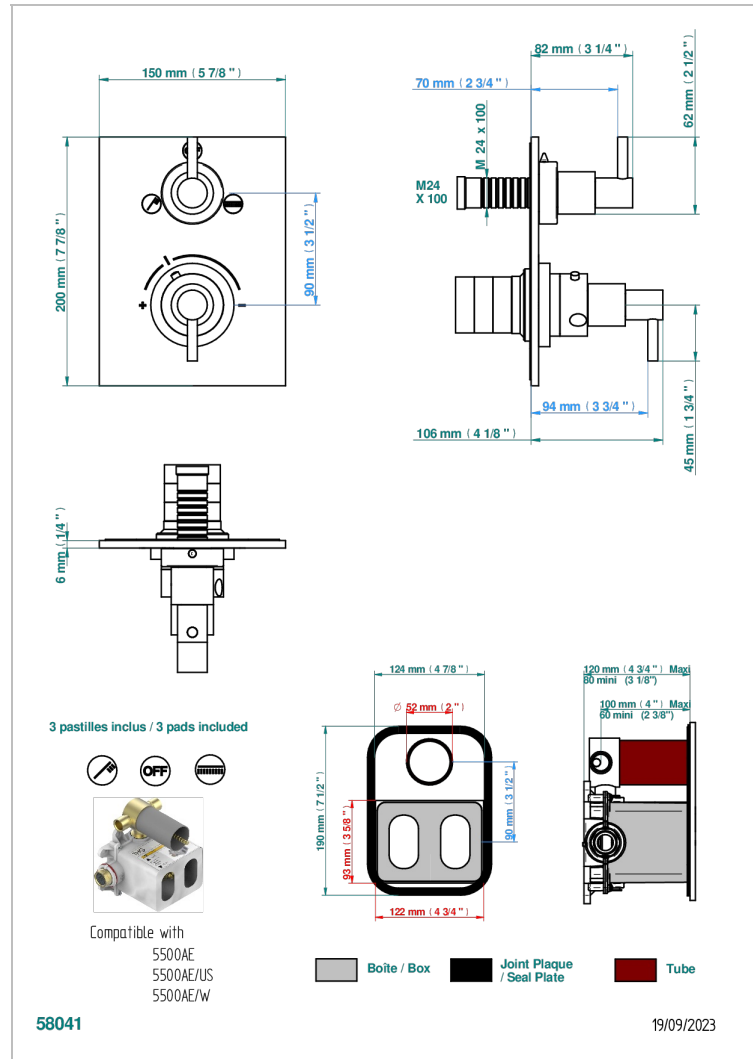
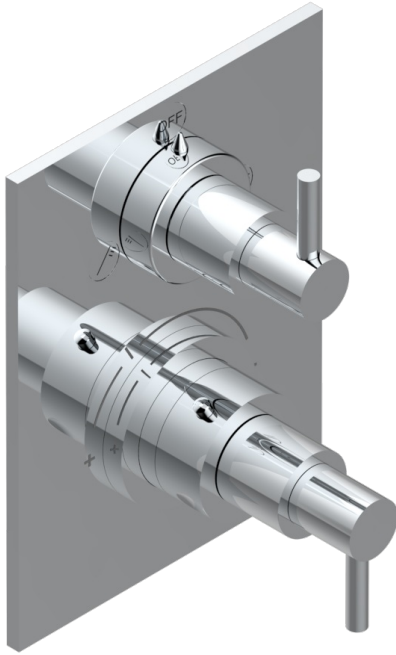


# NANO WITH LEVER HANDLES

G5B-5500BE

Trim for THG thermostat with 2-way diverter, rough part supplied with fixing box ref. 5 500AE/US



## CHARACTERISTIC

- Built-in thermostatic cover for 5500AE - 5500AE/US - 5500AE/W with 2 no.1/2" outputs and 1 stop function
- Requires concealed thermostat Ref 5500AE - 5500AE/US - 5500AE/W
- For Shower 2 functions - non simultaneous -
- Temperature control knob with security stop at 38°C
- Solid brass plate and knob
- ASME : ASME A112.18.1-2011/CSA B125.1-11
- DVGW : DW-6512CQ0608

## STANDARDS



## RELATED SKU'S

- Ref. G00-5500AE/US 3/4" THG thermostat with 2-way diverter with wax cartridge with stop valve and 2 outlets delivered with a built-in box, no trim
- Ref. G00-5100G Reinforced stop ring for THG thermostatic with fixing set

## AVAILABLE FINITIONS

Black ceram - D30  
 Chrome polished - A02  
 Chrome polished / gold polished - G02  
 Gold mat - F07  
 Gold polished - F01  
 Matt chrome (American satin) - C02

Matt nickel (American satin) - C01  
 Nickel antique / Sovereign - H28  
 Nickel polished - B01  
 Soft gold - F30  
 Soft matt gold - F31