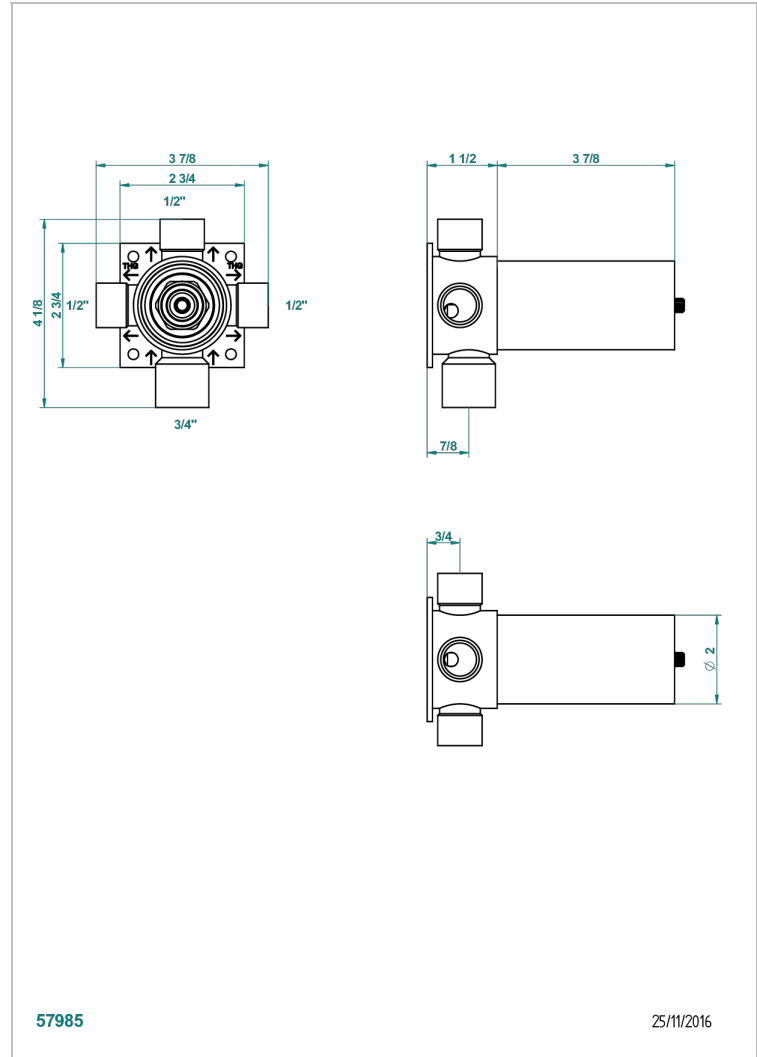
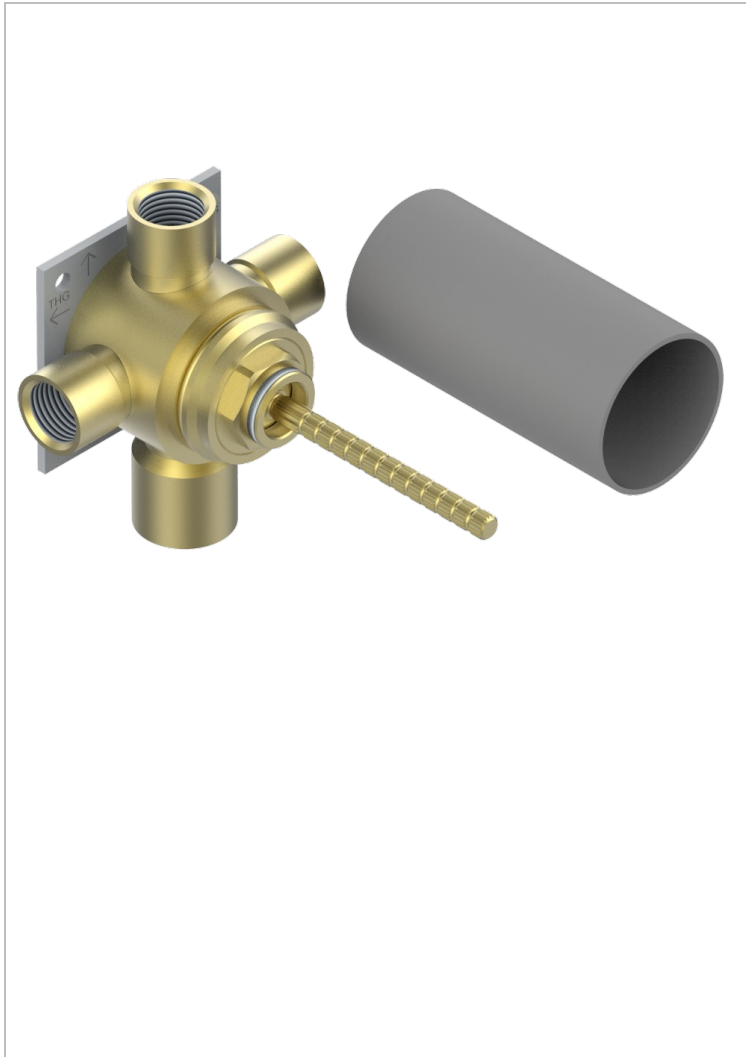


Wall mounted 4-way diverter with ceramic cartridge for concealed installation- 1 inlet 3/4" and 3 outlets 1/2" with stop position, without trim



CARACTERÍSTICAS

- ACS : 17ACCLY140

ESTÁNDAR



ACABADOS DISPONIBLES

*** - A00

ESPECIFICACIONES TÉCNICAS

- Recommandé : 3 bars (max. 5 bars) - Advised : 43,5 psi (max. 72 psi)
- 35 l/min à 3 bars (9.3 gpm at 43.5 psi)

57985

25/11/2016