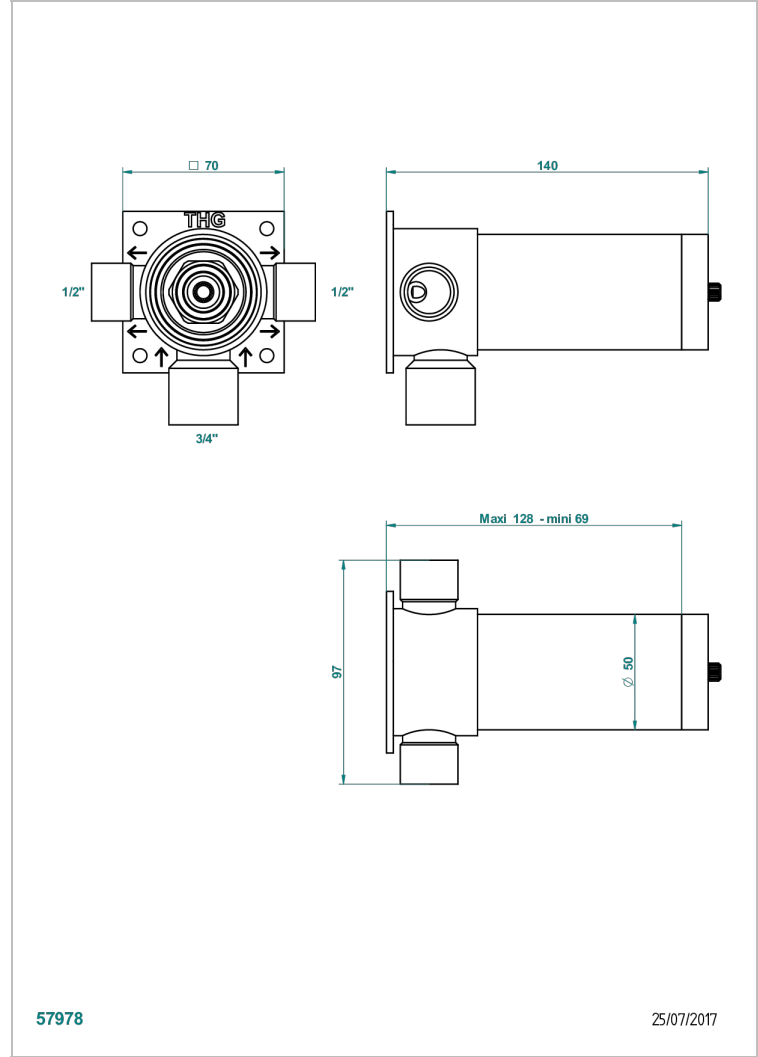
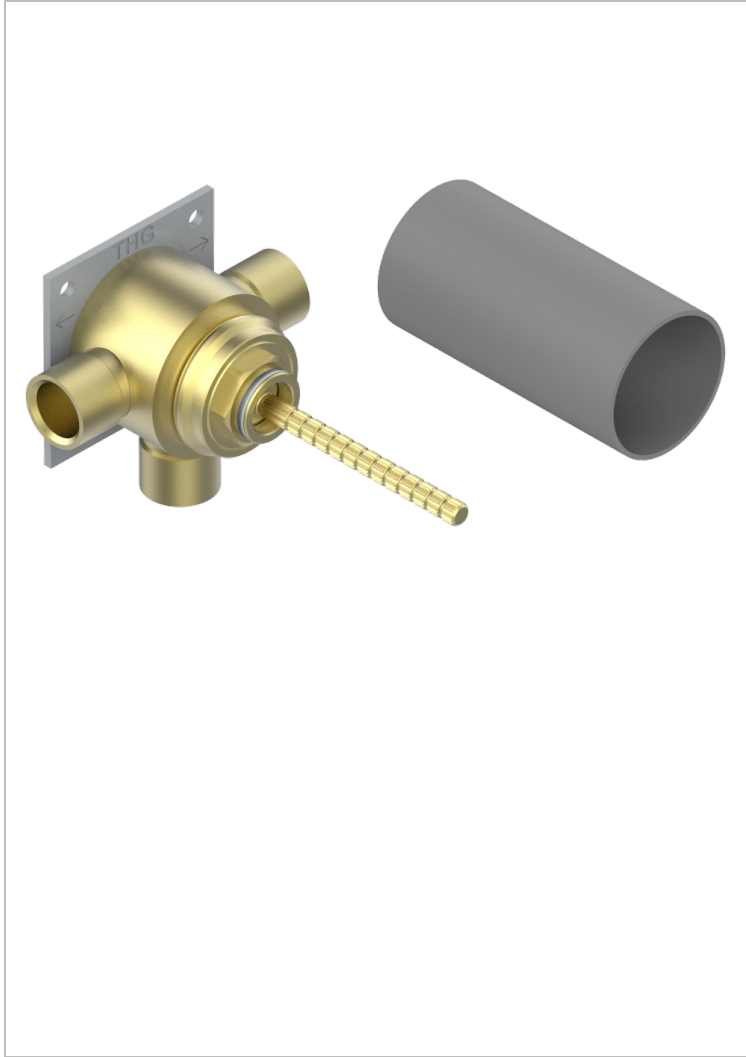


Wall mounted 3-way diverter with ceramic cartridge for concealed installation- 1 inlet 3/4" and 2 outlets 1/2" without stop position, without trim



### CARACTERÍSTICAS

- ACS : 17ACCLY140

### ESTÁNDAR



### ACABADOS DISPONIBLES

\*\*\* - A00

### ESPECIFICACIONES TÉCNICAS

- Recommandé : 3 bars (max. 5 bars) - Advised : 43,5 psi (max. 72 psi)
- 40 l/min à 3 bars (10.6 gpm at 43.5 psi)

57978

25/07/2017