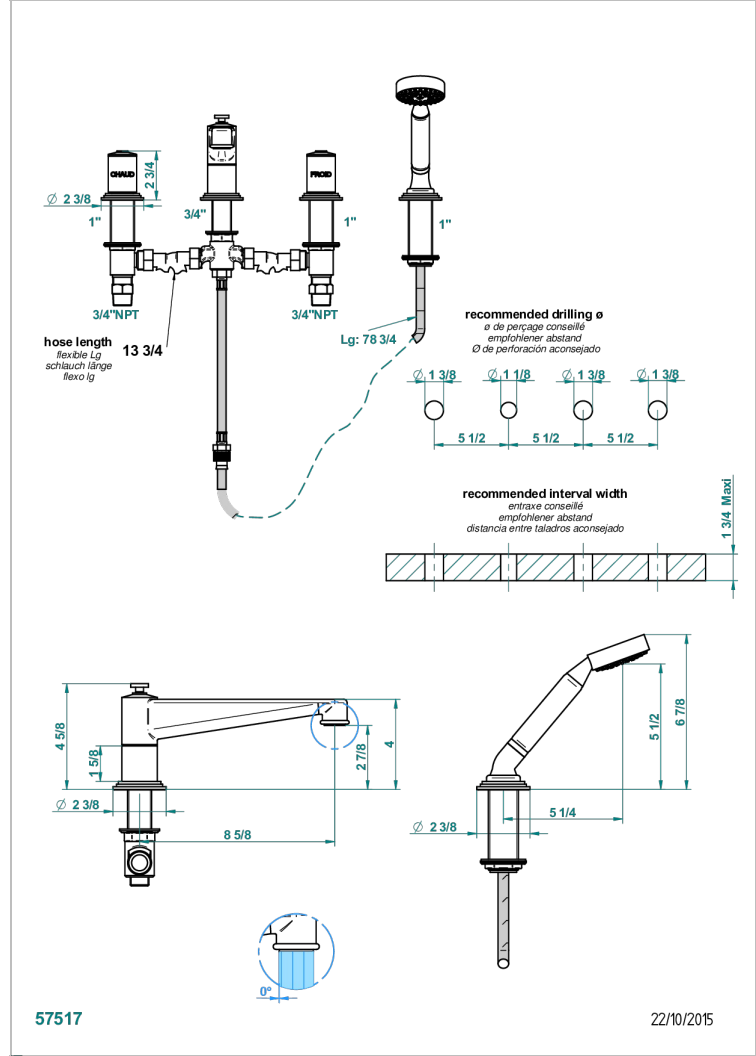


FAUBOURG BLACK PORCELAIN

G2L-112BSGUS

Roman tub set with diverter spout and handshower, 3/4" valves

THG[®]
PARIS



CHARACTERISTIC

- ASME : ASME A112.18.1-2011/CSA B125.1-11

TECHNICAL SPECS

- Recommandé : 3 bars (max. 5 bars) - Advised : 43,5 psi (max. 72 psi)
- Bec : 35 l/min à 3 bars - Douchette : 9,5 l/min à 3 bars
- Spout : 9.26 gpm at 43.5 psi - Handshower : 2.5 gpm at 43.5 psi

STANDARDS



AVAILABLE FINITIONS

- | | | | | |
|---------------------------------------|----------------------|------------------------------------|----------------------------------|----------------------|
| Black ceram - D30 | Gold color PVD - H52 | Matt brass color PVD - H50 | Matt nickel color PVD - H56 | Soft matt gold - F31 |
| Blush PVD - H62 | Gold mat - F07 | Matt brown bronze color PVD - F34 | Natural smoked Brass - A13 | Umber PVD - H66 |
| Brass color PVD - H49 | Gold polished - F01 | Matt chrome (American satin) - C02 | Nickel antique / Sovereign - H28 | |
| Brown bronze color PVD - F33 | Graphite PVD - H64 | Matt gold color PVD - H53 | Nickel color PVD - H55 | |
| Chrome polished - A02 | Matt Umber PVD - H67 | Matt graphite PVD - H65 | Nickel polished - B01 | |
| Chrome polished / gold polished - G02 | Matt blush PVD - H60 | Matt nickel (American satin) - C01 | Soft gold - F30 | |