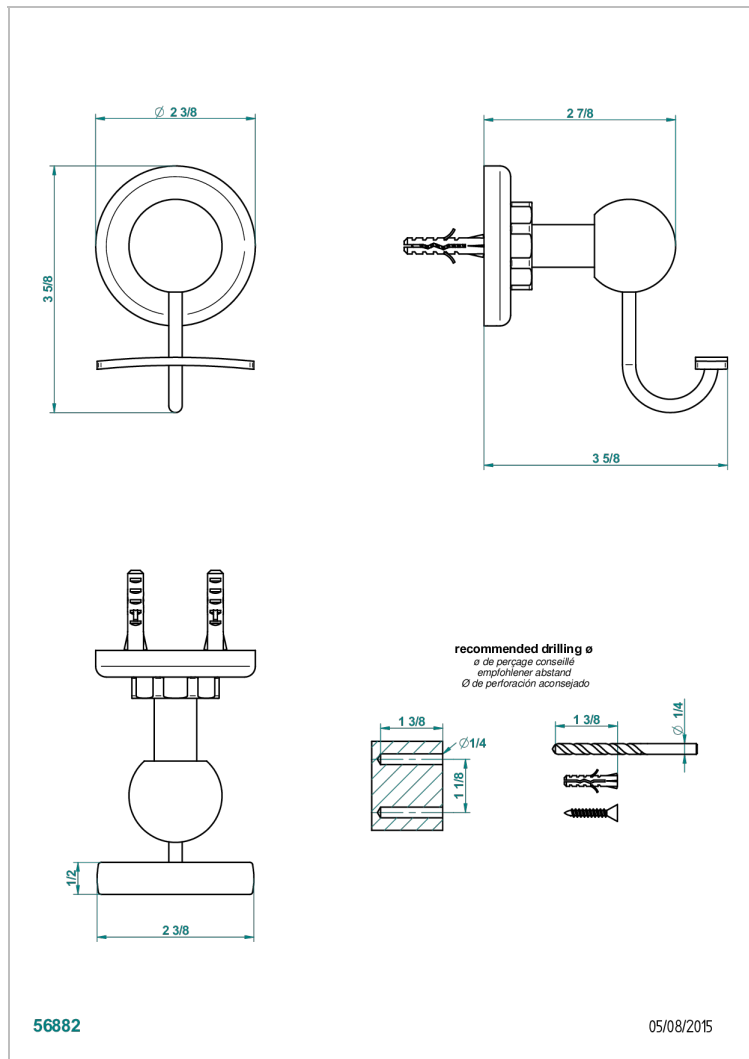


G7H-510

浴衣钩



特色

- Club Saint-Germain
- 浴衣钩

可选饰面

Black ceram - D30
 Blush PVD - H62
 Graphite PVD - H64
 Matt Umber PVD - H67
 Matt blush PVD - H60
 Matt graphite PVD - H65

Natural smoked Brass - A13
 PVD哑光棕铜 - F34
 PVD哑光金 - H53
 PVD哑光铜 - H50
 PVD哑光镍 - H56
 PVD抛光铜 - H49

PVD棕铜 - F33
 PVD金色 - H52
 PVD镍 - H55
 Umber PVD - H66
 哑光浅金 - F31
 哑光金 - F07

哑光铬 - C02
 哑光镍 - C01
 复古镍 - H28
 抛光金 (24K金) - F01
 抛光铬 - A02
 抛光铬/抛光金 - G02

抛光镍 - B01
 浅金 - F30
 漆面铜 - D01