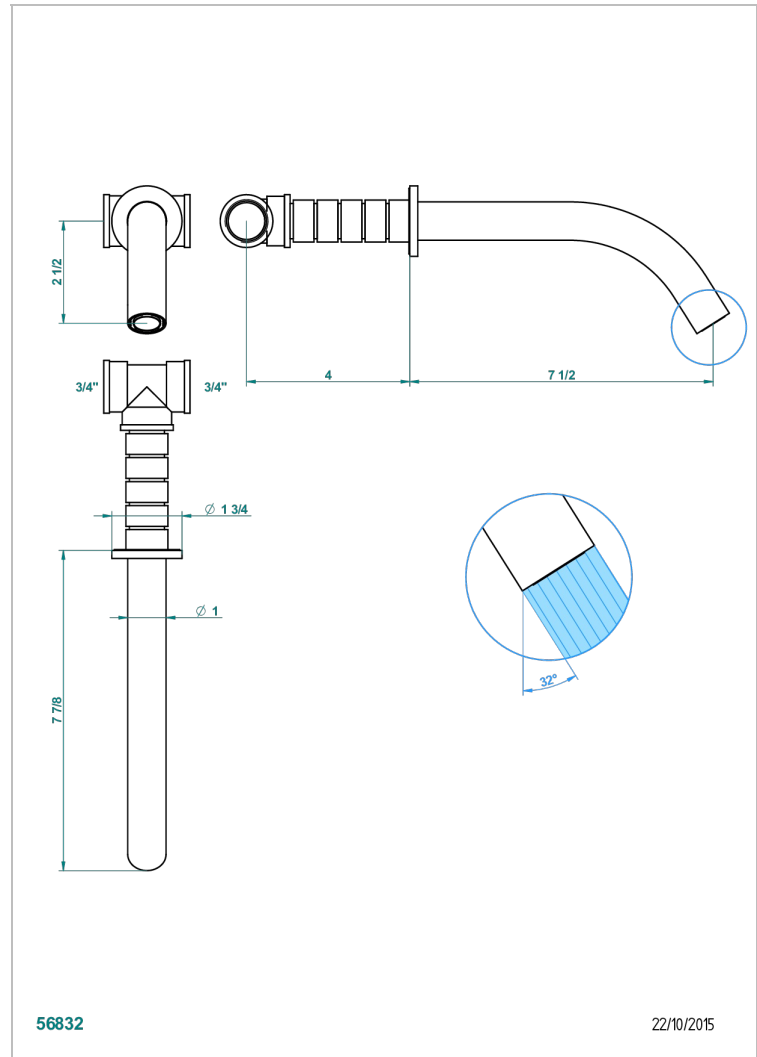
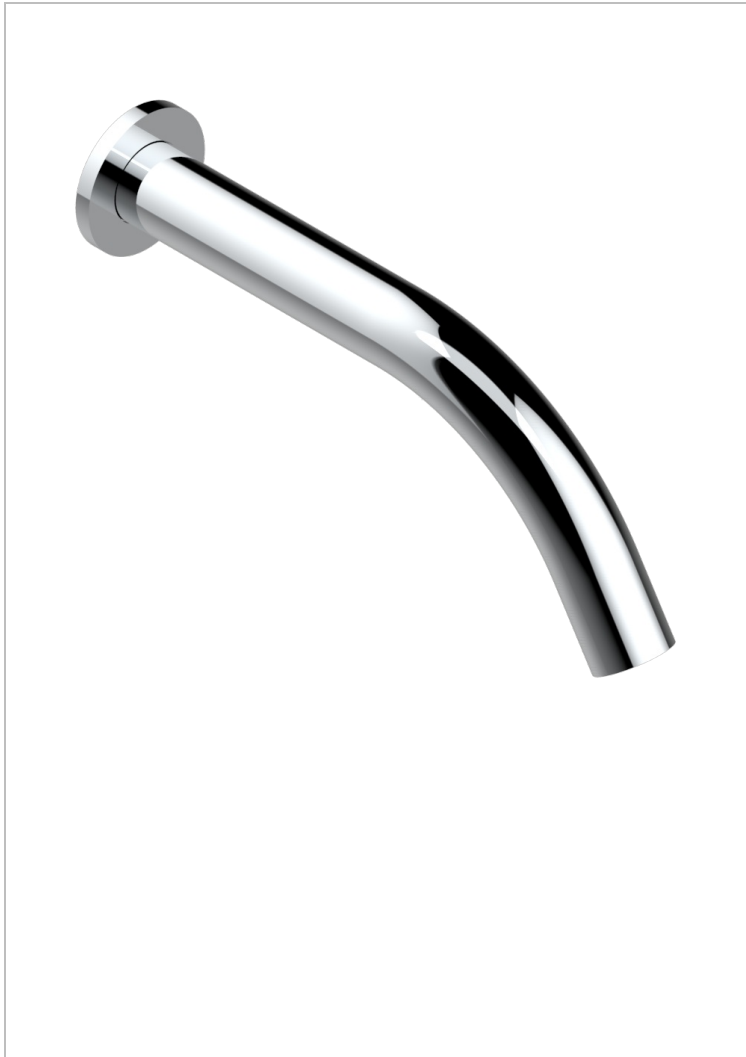


# NANO WITH LEVER HANDLES

G5B-22G/US

Wall mounted tub spout

THG<sup>®</sup>  
PARIS



## CHARACTERISTIC

- ASME : ASME A112.18.1-2011/CSA B125.1-11

## STANDARDS



## AVAILABLE FINITIONS

Black ceram - D30  
Chrome polished - A02  
Chrome polished / gold polished - G02  
Gold mat - F07  
Gold polished - F01  
Matt chrome (American satin) - C02

## TECHNICAL SPECS

- Recommandé : 3 bars (max. 5 bars) - Advised : 43,5 psi (max. 72 psi)
- 48 l/min à 3 bars (12.7 gpm at 43.5 psi)

Matt nickel (American satin) - C01  
Nickel antique / Sovereign - H28  
Nickel polished - B01  
Soft gold - F30  
Soft matt gold - F31