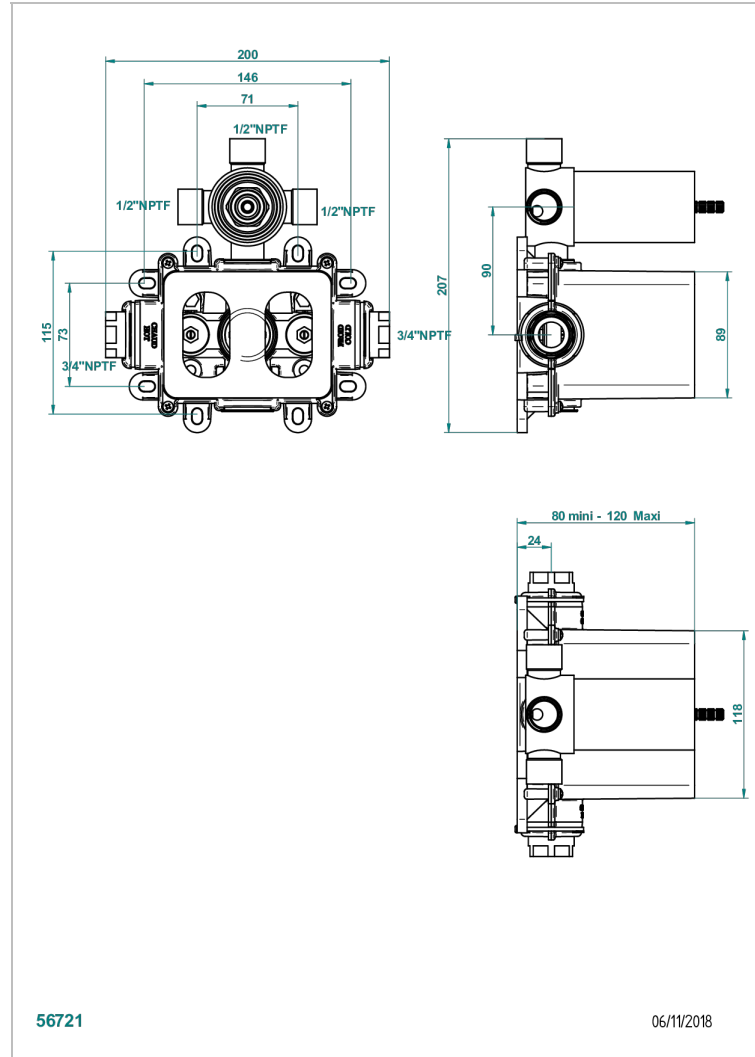


GENERAL PRODUCTS

G00-5600AE/US

THG[®]
PARIS

3/4" THG thermostat with wax cartridge, with stop valve and 3 outlets (stop position between outlets), delivered with a built-in box, no trim



CHARACTERISTIC

- Brass body
- Encased with protective cover and recessed box
- Ceramic diverter with 3 no 1/2" outputs and stop functions between each output - Ref. 2505/T
- Thermostatic cartridge with wax element - Ref. C5200
- Associated product : thermostatic cover for 5600BE
- ASME : ASME A112.18.1-2011/CSA B125.1-11

STANDARDS



AVAILABLE FINITIONS

*** - A00

TECHNICAL SPECS

- Recommandé : 3 bars (max. 5 bars) - Advised : 43,5 psi (max. 72 psi)
- 34 l/min à 3 bars (9 gpm at 43.5 psi)