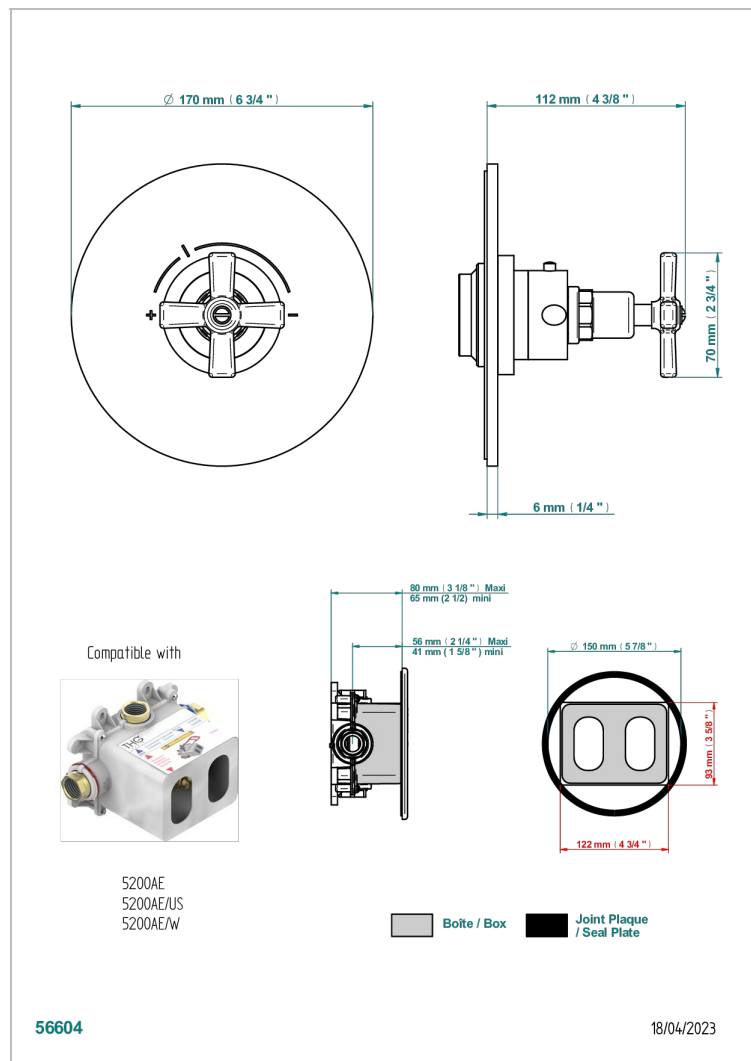
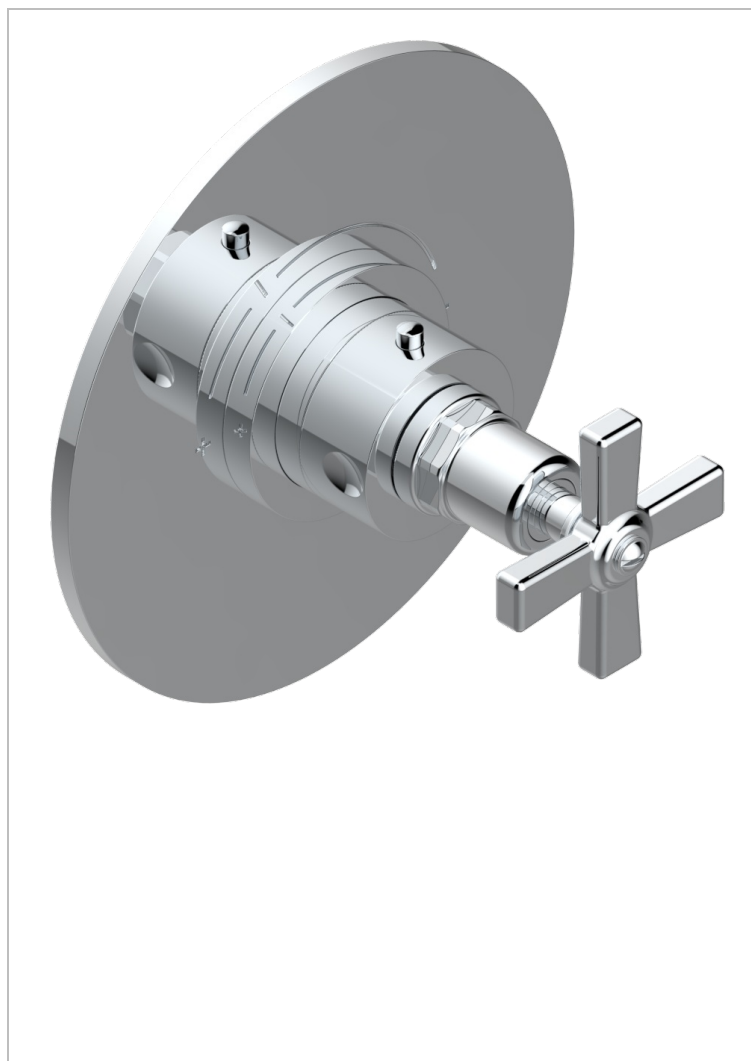


Trim for THG thermostatic valve, rough part supplied with fixing box ref. 5 200AE/US - Round plate model



CHARACTERISTIC

- ASME : ASME A112.18.1-2011/CSA B125.1-11

STANDARDS



RELATED SKU'S

- Ref. G00-5100C Extention kit for thermostatic mixing valve - for installation between 80 mm and 125 mm
- Ref. G00-5100G Reinforced stop ring for THG thermostatic with fixing set
- Ref. G00-5200AE/US 3/4" THG thermostat, 60 l/min with wax cartridge, delivered with a built-in box, no trim

AVAILABLE FINITIONS

Black ceram - D30
 Blush PVD - H62
 Brass color PVD - H49
 Brown bronze color PVD - F33
 Chrome polished - A02
 Chrome polished / gold polished - G02

Gold color PVD - H52
 Gold mat - F07
 Gold polished - F01
 Graphite PVD - H64
 Light coated bronze - D01
 Matt Umber PVD - H67

Matt blush PVD - H60
 Matt brass color PVD - H50
 Matt brown bronze color PVD - F34
 Matt chrome (American satin) - C02
 Matt gold color PVD - H53
 Matt graphite PVD - H65

Matt nickel (American satin) - C01
 Matt nickel color PVD - H56
 Natural smoked Brass - A13
 Nickel antique / Sovereign - H28
 Nickel color PVD - H55
 Nickel polished - B01

Soft gold - F30
 Soft matt gold - F31
 Umber PVD - H66