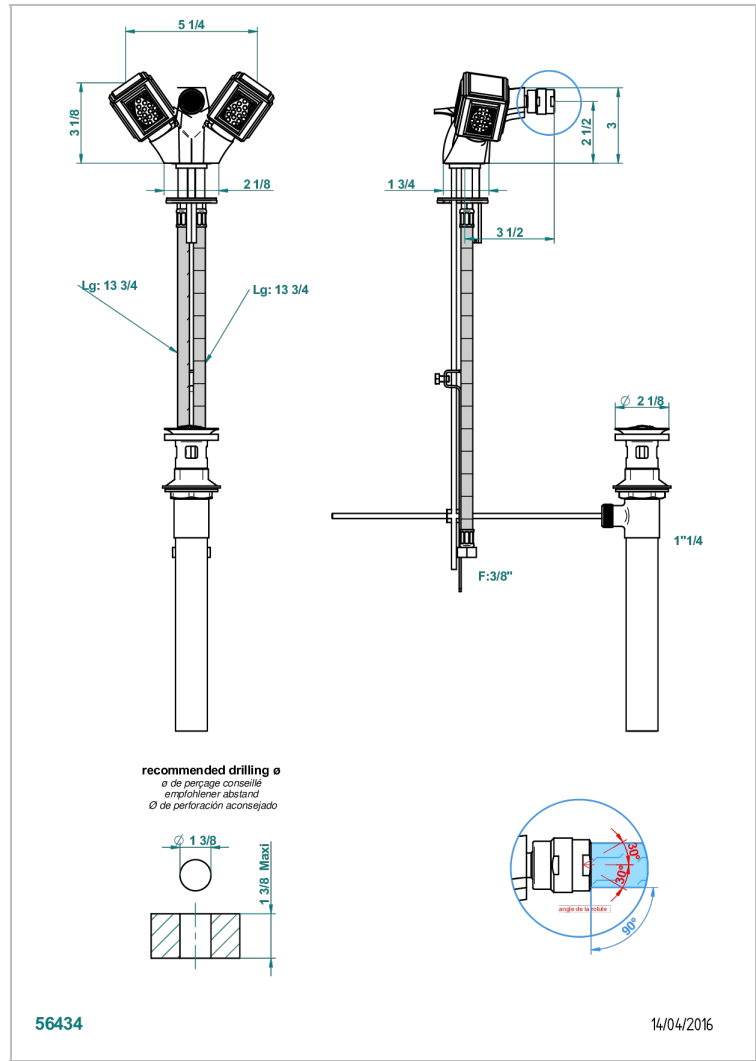


METROPOLIS CLEAR CRYSTAL

A2A-3202/US

Single hole bidet faucet with drain



CHARACTERISTIC

- ASME : ASME A112.18.1-2011/CSA B125.1-11

STANDARDS



TECHNICAL SPECS

- Recommandé : 3 bars (max. 5 bars) - Advised : 43,5 psi (max. 72 psi)
- 5,7 l/min à 3 bars (1.5 gpm at 43.5 psi)

AVAILABLE FINITIONS

Black ceram - D30
 Blush PVD - H62
 Brass color PVD - H49
 Brown bronze color PVD - F33
 Chrome polished - A02
 Chrome polished / gold polished - G02

Gold color PVD - H52
 Gold mat - F07
 Gold polished - F01
 Graphite PVD - H64
 Matt Umber PVD - H67
 Matt blush PVD - H60

Matt brass color PVD - H50
 Matt brown bronze color PVD - F34
 Matt chrome (American satin) - C02
 Matt gold color PVD - H53
 Matt graphite PVD - H65
 Matt nickel (American satin) - C01

Matt nickel color PVD - H56
 Nickel antique / Sovereign - H28
 Nickel color PVD - H55
 Nickel polished - B01
 Soft gold - F30
 Soft matt gold - F31

Umber PVD - H66