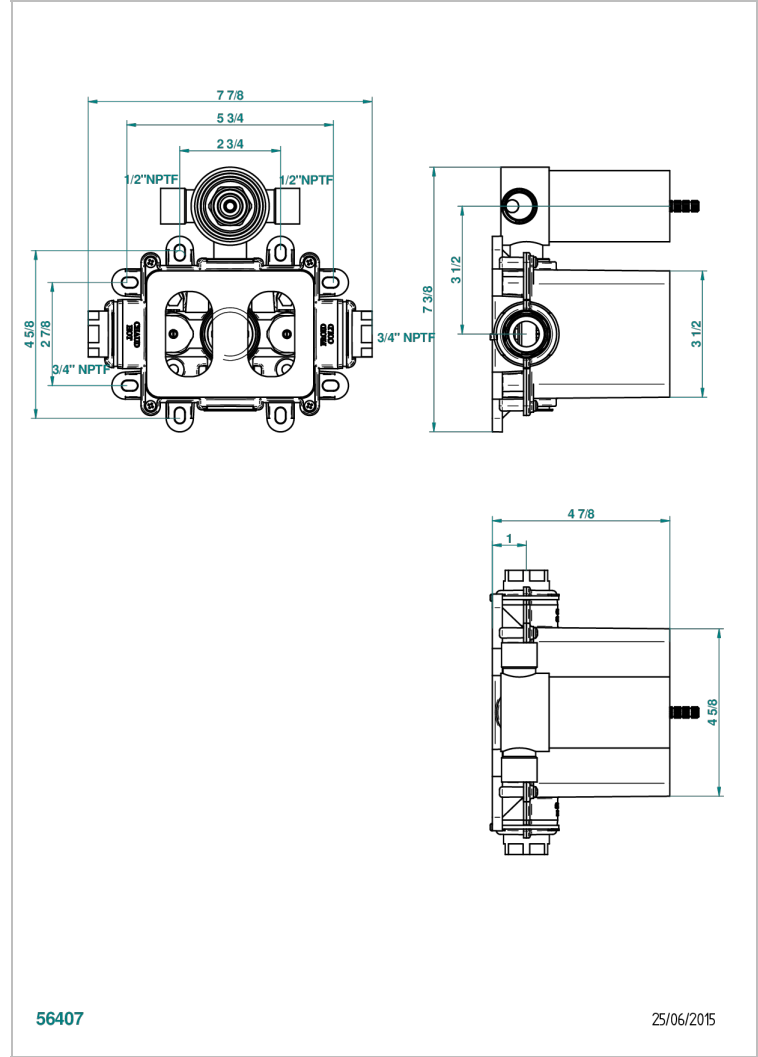


# GENERAL PRODUCTS

G00-5500AE/US

THG  
PARIS

3/4" THG thermostat with 2-way diverter with wax cartridge with stop valve and 2 outlets delivered with a built-in box, no trim



## CHARACTERISTIC

- Brass Body
- Encased with protective cover and recessed box
- Ceramic diverter with 1 stop function and 2 no. 1/2" female outputs - Ref. 2505/S
- Thermostatic cartridge with wax element - Ref. C5200
- Associated product : thermostatic cover plate with 2 way diverter - Réf. 5500BE
- ASME : ASME A112.18.1-2011/CSA B125.1-11

## TECHNICAL SPECS

- Recommandé : 3 bars (max. 5 bars) - Advised : 43,5 psi (max. 72 psi)
- 55 l/min à 3 bars (10.5 gpm at 43.5 psi)

## STANDARDS



## AVAILABLE FINITIONS

\*\*\* - A00