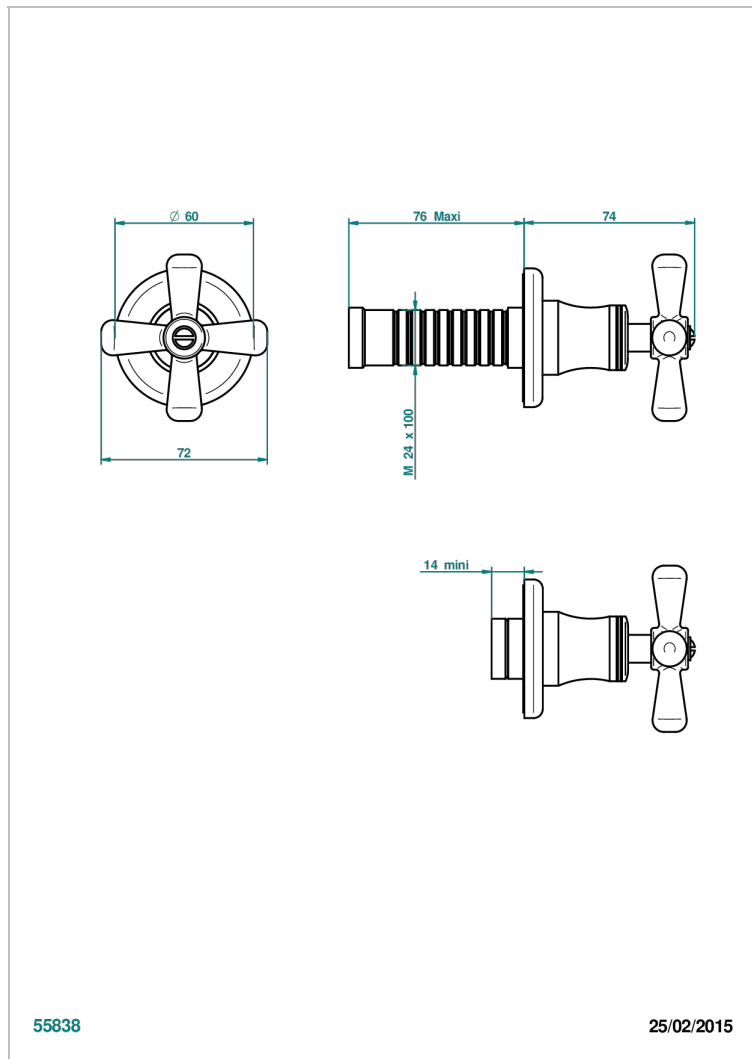


Trim only for wall valve 1/2" ref.30/CA & 30/HA and 3/4" ref.32/CA & 32/HA and diverter ref.50/4VMA



55838

25/02/2015

CHARACTERISTIC

- Beaubourg
- Trim only for wall valve 1/2" ref.30/CA & 30/HA and 3/4" ref.32/CA & 32/HA and diverter ref.50/4VMA

RELATED SKU'S

- Ref. G00-30/CA/W Wall mounted 1/2" valve body with ceramic head 1/4 turn left - WRAS approved
- Ref. G00-30/HA/W Wall mounted 1/2" valve body with ceramic head 1/4 turn right - WRAS approved
- Ref. G00-32/CA/W Wall mounted 3/4" valve body with ceramic head, 1/4 turn left - WRAS approved
- Ref. G00-32/HA/W Wall mounted 3/4" valve body with ceramic head, 1/4 turn right - WRAS approved

AVAILABLE FINITIONS

Antique nickel - H28
 Black ceram - D30
 Blush PVD - H62
 Brass color PVD - H49
 Brown bronze color PVD - F33
 Gold color PVD - H52

Graphite PVD - H64
 Lacquered light bronze - D01
 Matt Umber PVD - H67
 Matt blush PVD - H60
 Matt brass color PVD - H50
 Matt brown bronze color PVD - F34

Matt chrome - C02
 Matt gold - F07
 Matt gold color PVD - H53
 Matt graphite PVD - H65
 Matt nickel (color finish) - C01
 Matt nickel color PVD - H56

Natural smoked Brass - A13
 Nickel color PVD - H55
 Polished chrome (color finish) - A02
 Polished chrome / Polished gold (color finish) - G02
 Polished gold (color finish) - F01
 Polished nickel - B01

Soft gold - F30
 Soft matt gold - F31
 Umber PVD - H66