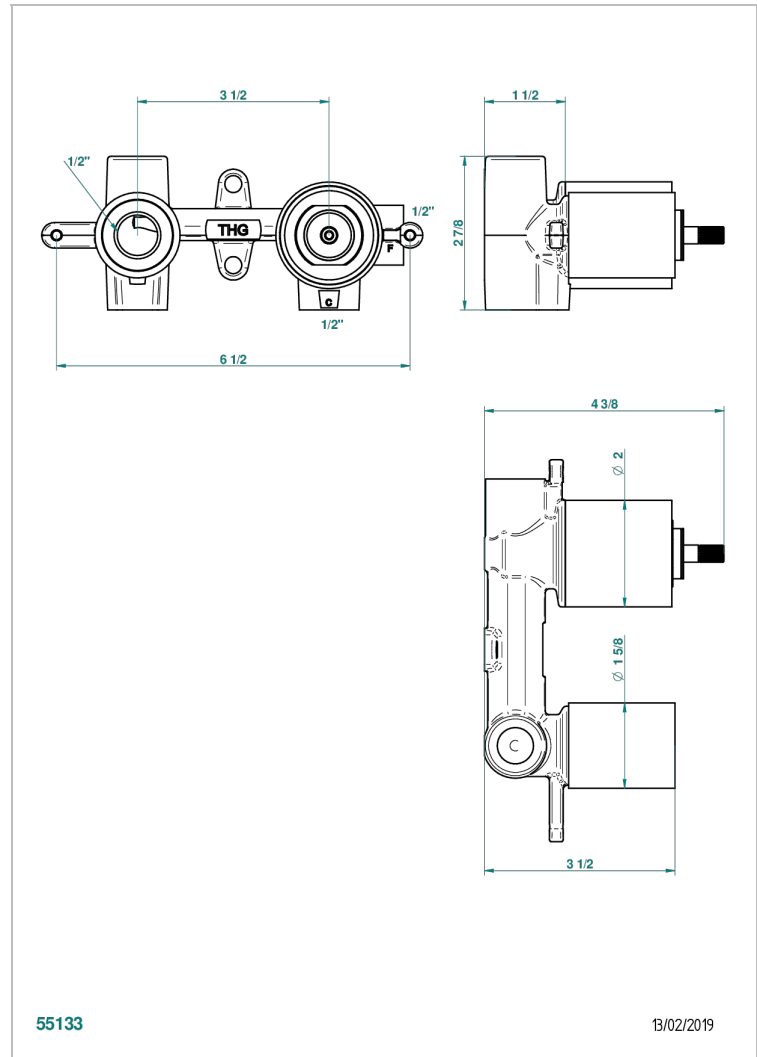
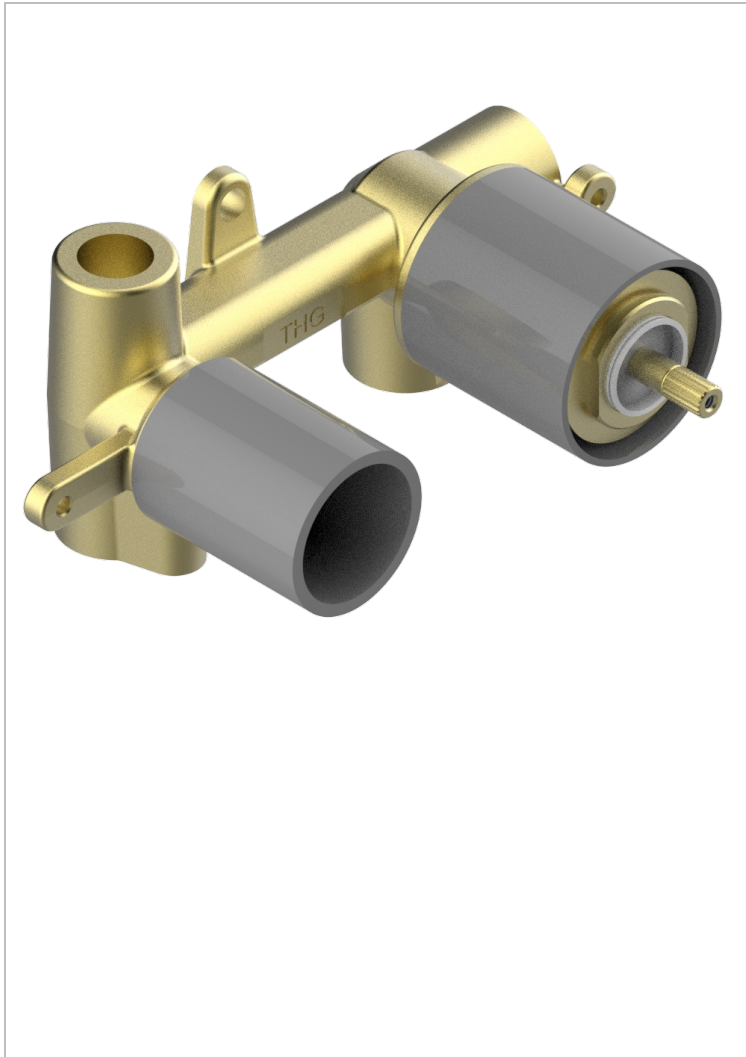


# STANDARDARTIKEL

G00-5840/MAP

Rough parts for toilet mixer with progressive cartridge. outlet f 1/2



## EIGENSCHAFTEN

- Standardartikel
- Rough parts for toilet mixer with progressive cartridge. outlet f 1/2

## VERFÜGBARE OBERFLÄCHEN

\*\*\* - A00