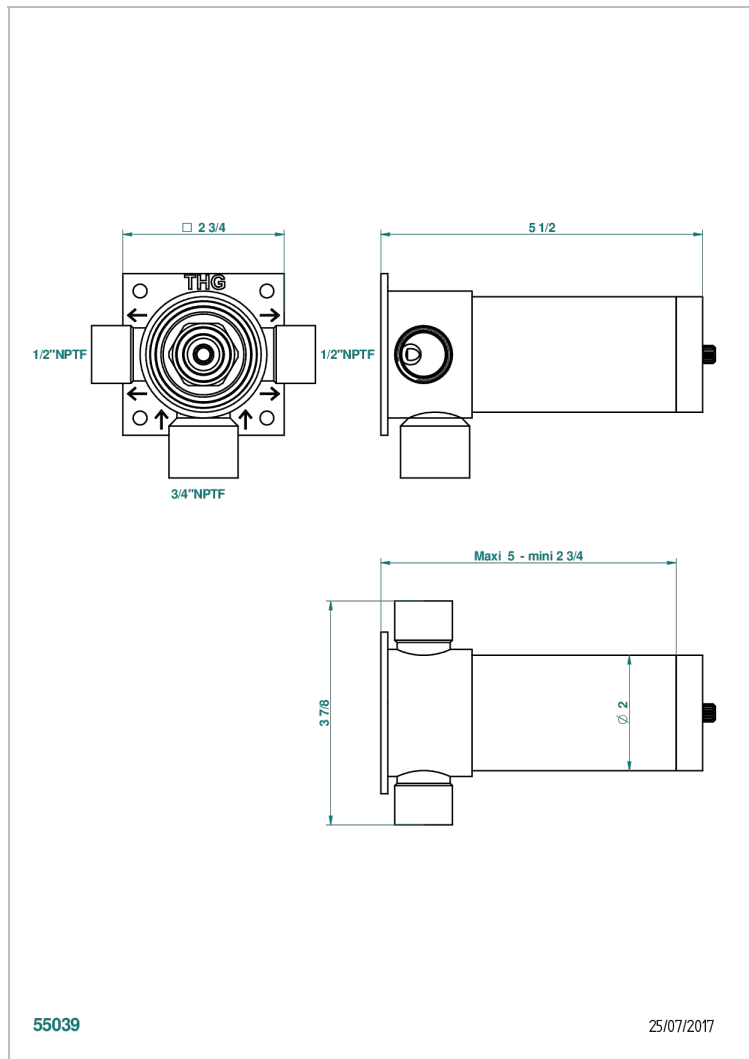
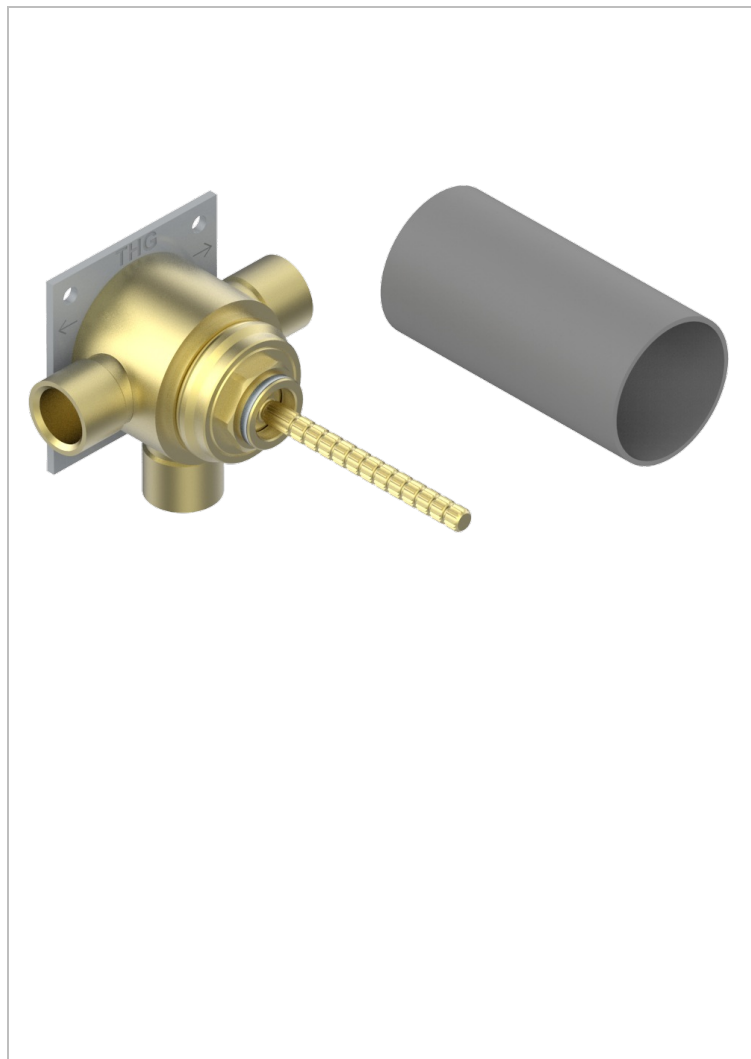


GENERAL PRODUCTS

G00-48M2SOUSA

Wall mounted 3-way diverter with ceramic cartridge for concealed installation- 1 inlet 3/4" and 2 outlets 1/2" without shared ports no stop position - no trim



CHARACTERISTIC

- ASME : ASME A112.18.1-2011/CSA B125.1-11

STANDARDS



AVAILABLE FINITIONS

*** - A00

TECHNICAL SPECS

- Recommandé : 3 bars (max. 5 bars) - Advised : 43,5 psi (max. 72 psi)
- 40 l/min à 3 bars (10.6 gpm at 43.5 psi)