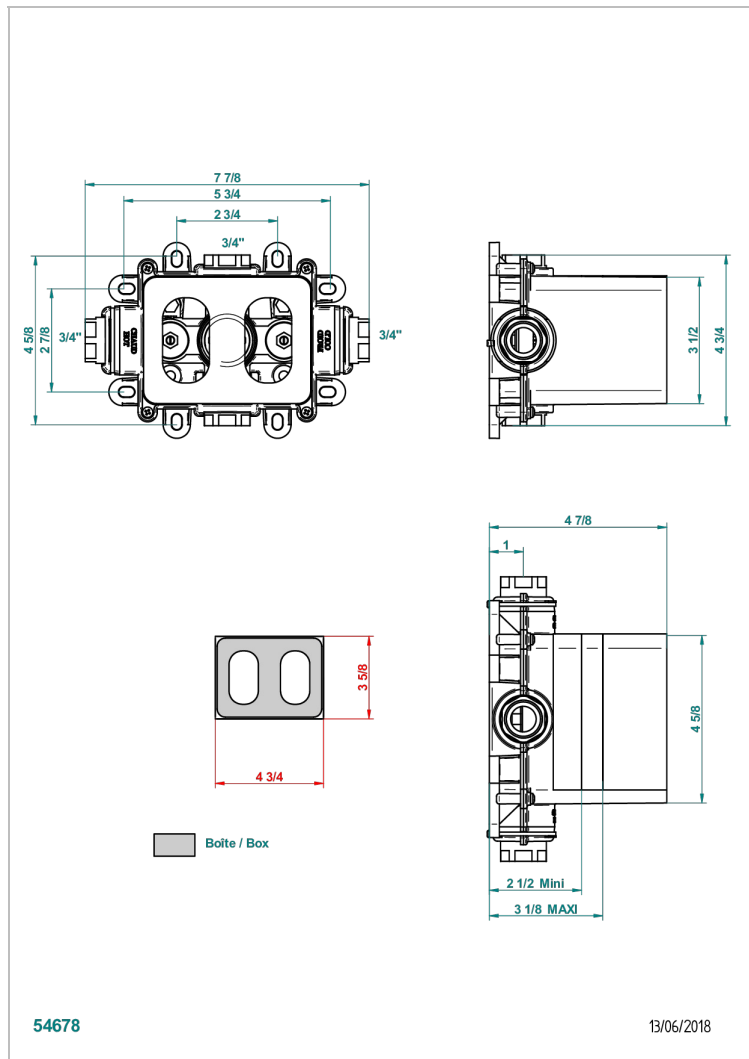


# GENERAL ITEMS

G00-5200AE

3/4" THG thermostat, 60 l/min with wax cartridge, delivered with a built-in box, no trim



## CHARACTERISTIC

- Solid brass body
- Delivered with built-in box
- Thermostatic wax cartridge - Ref. C5200
- Associated product: thermostatic cover plate and on/off valves ref: 5100B, 5100BR
- On/off valves (or diverter with stop function) required for each shower function
- ACS : 17ACCLY141
- DVGW : DW-6512CQ0608
- NF : NF EN 1111 - IB - Brut
- SVGW-SSIGE : 1802-6724

## TECHNICAL SPECS

- Recommandé : 3 bars (max. 5 bars) - Advised : 43,5 psi (max. 72 psi)
- 60 l/min à 3 bars (15.9 gpm at 43.5 psi)

## STANDARDS



## RELATED SKU'S

- Ref. G00-5100C Wall connector for THG thermostatic valves , for wall built-in depth between 80 and 125 mm
- Ref. G00-5100G Reinforced stop ring for THG thermostatic with fixing set

## AVAILABLE FINITIONS

\*\*\* - A00