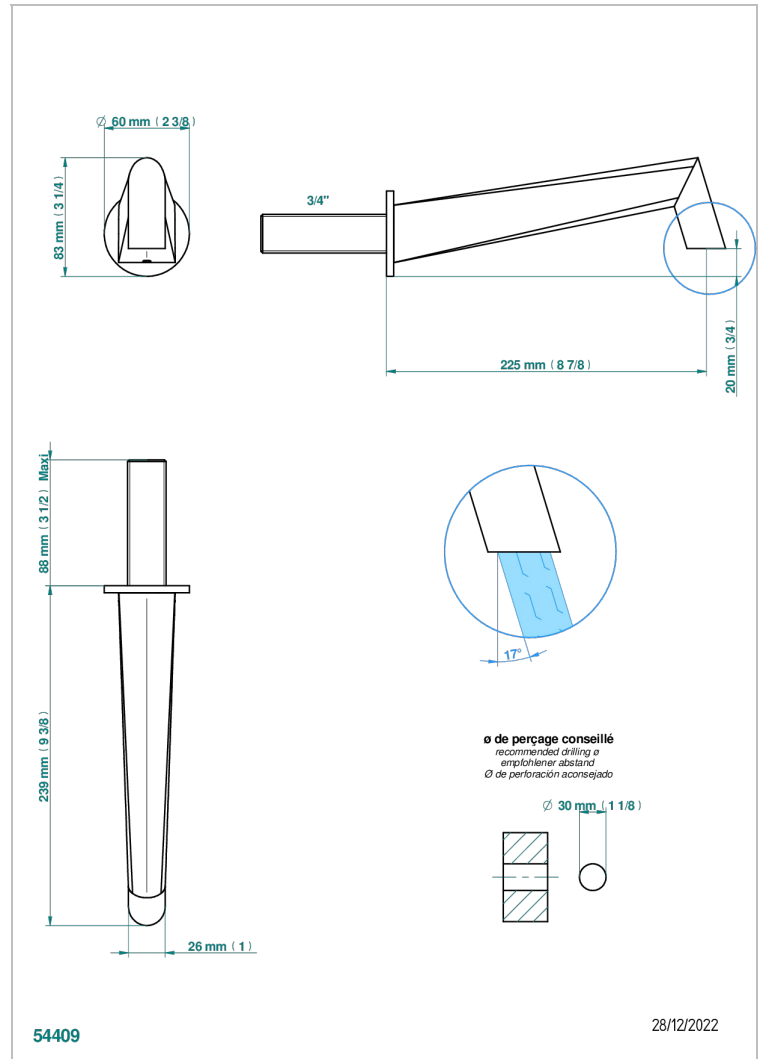


# METAMORPHOSE CARBON

G6C-43SGB

Basin wall spout 3/4 no T junction

THG<sup>®</sup>  
PARIS



## EIGENSCHAFTEN

- Métamorphose Carbon
- Basin wall spout 3/4 no T junction

## TECHNISCHE DATEN

- Recommandé : 3 bars (max. 5 bars) - Advised : 43,5 psi (max. 72 psi)
- 8,3 l/min à 3 bars (2.2 gpm at 43.5 psi)

## VERFÜGBARE OBERFLÄCHEN

Altnickel - H28  
Blassgold - F30  
Blassgold matt unlackiert - F31  
Bronze hell - D01  
Chrom - A02  
Chrom matt - C02

Gold - F01  
Gold matt - F07  
Kupfer altrot matt lackiert - H07  
Mattschwarz keramik - D30  
Nickel matt - C01  
Pvd blush - H62

Pvd blush matt - H60  
Pvd bronze braun - F33  
Pvd bronze braun matt - F34  
Pvd gold - H52  
Pvd gold matt - H53  
Pvd graphite - H64

Pvd graphite matt - H65  
Pvd messing - H49  
Pvd messing matt - H50  
Pvd nickel - H55  
Pvd nickel matt - H56  
Pvd umber - H66

Pvd umber matt - H67  
Silberrnickel - B01