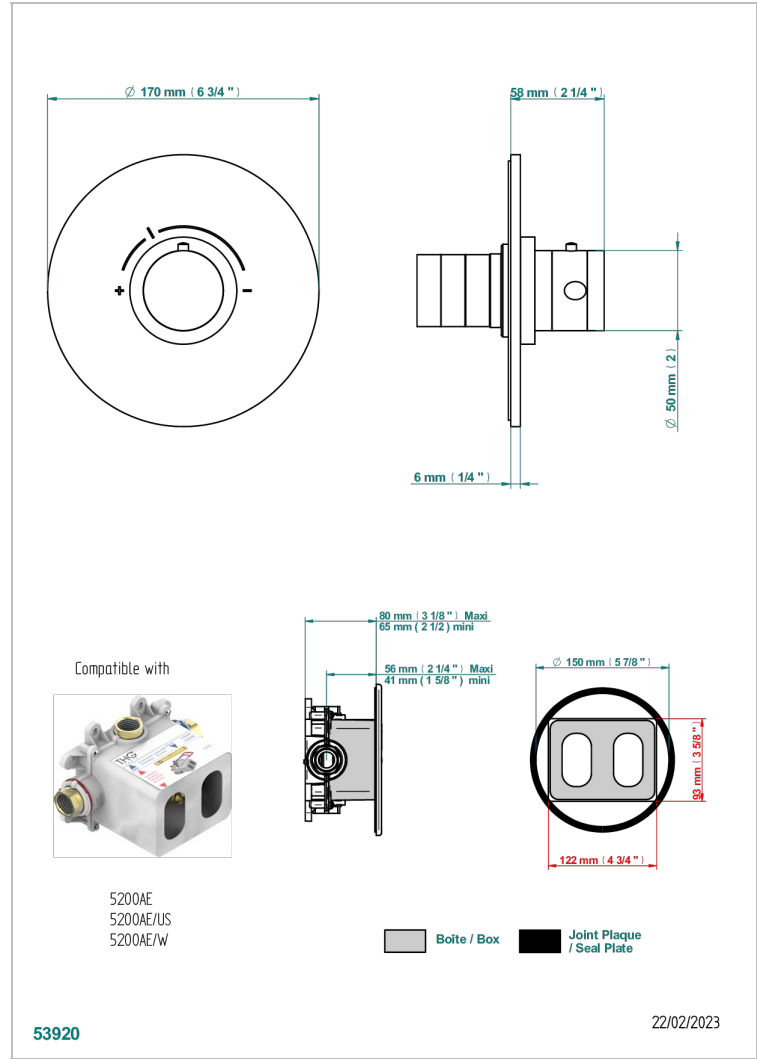
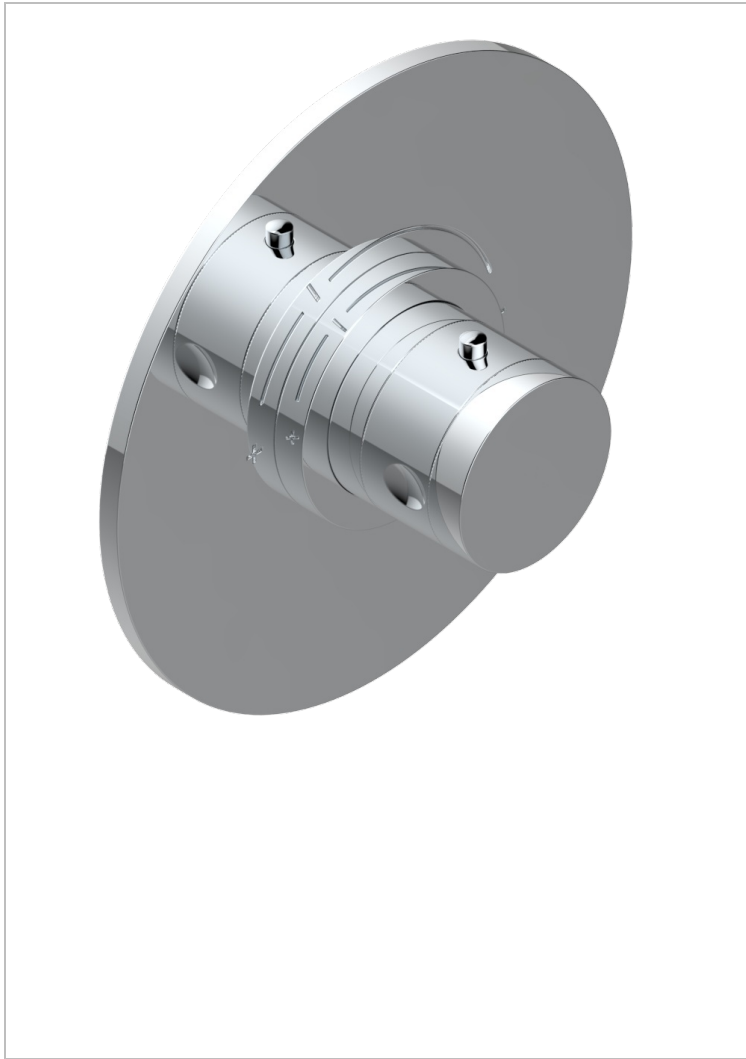


NIHAL BLUE PORCELAIN

U2L-5100BR

Trim for THG thermostatic valve, rough part supplied with fixing box ref. 5 200AE/US - Round plate model

THG[®]
PARIS



CHARACTERISTIC

- Requires concealed thermostat ref. 5200AE, 5200AE/US and 5200AE/W
- Temperature control knob with security stop at 38°C
- On/off valves (or diverter with stop function) required for each shower function
- Solid brass plate and knob
- ASME : ASME A112.18.1-2011/CSA B125.1-11

STANDARDS



RELATED SKU'S

- Ref. G00-5100C Extension kit for thermostatic mixing valve - for installation between 80 mm and 125 mm
- Ref. G00-5100G Reinforced stop ring for THG thermostatic with fixing set
- Ref. G00-5200AE/US 3/4" THG thermostat, 60 l/min with wax cartridge, delivered with a built-in box, no trim

AVAILABLE FINITIONS

Black ceram - D30

Blush PVD - H62

Brass color PVD - H49

Brown bronze color PVD - F33

Chrome polished - A02

Chrome polished / gold polished - G02

Copper antique matt, coated - H07

Gold color PVD - H52

Gold mat - F07

Gold polished - F01

Graphite PVD - H64

Light coated bronze - D01

Matt Umber PVD - H67

Matt blush PVD - H60

Matt brass color PVD - H50

Matt brown bronze color PVD - F34

Matt chrome (American satin) - CO2

Matt gold color PVD - H53

Matt graphite PVD - H65

Matt nickel (American satin) - CO1

Matt nickel color PVD - H56

Nickel antique / Sovereign - H28

Nickel color PVD - H55

Nickel polished - B01

Soft gold - F30

Soft matt gold - F31

Umber PVD - H66