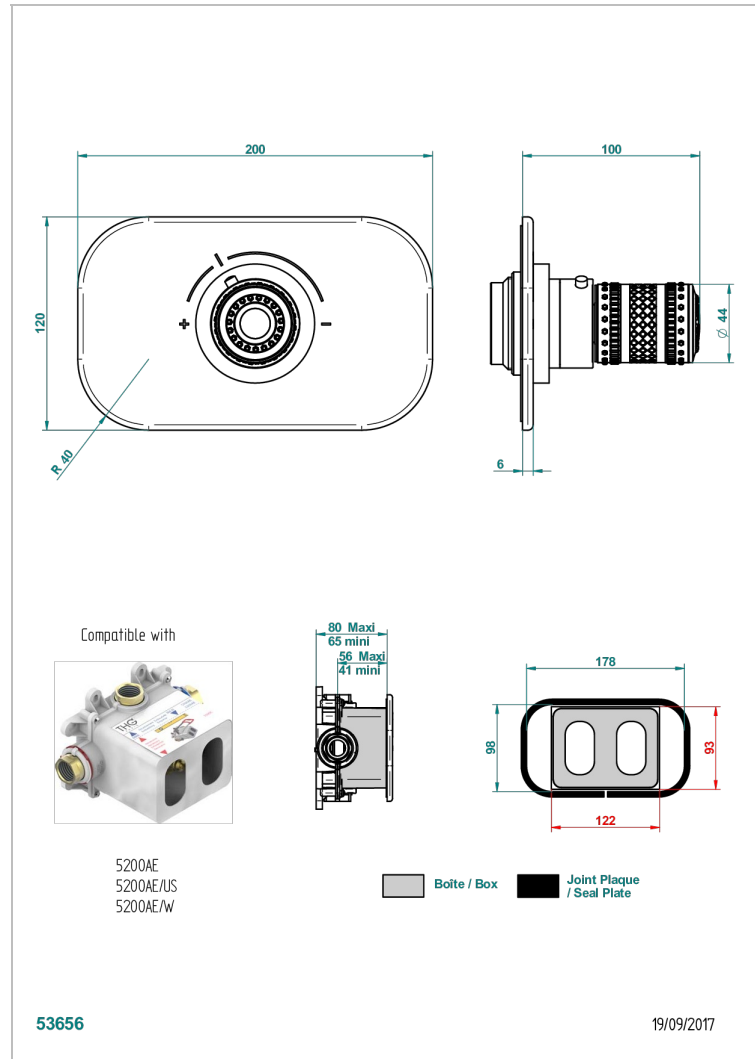


# MONTE CARLO, WHITE GOLD PORCELAIN

U8C-5100B

Trim for THG thermostat, rough part supplied with fixing box ref.5 200AE/US

THG<sup>®</sup>  
PARIS



## CHARACTERISTIC

- Requires concealed thermostat ref. 5200AE, 5200AE/US and 5200AE/W
- Temperature control knob with security stop at 38°C
- On/off valves (or diverter with stop function) required for each shower function
- Solid brass plate and knob
- ASME : ASME A112.18.1-2011/CSA B125.1-11
- DVGW : DW-6512CQ0608

## STANDARDS



## RELATED SKU'S

- Ref. G00-5100C Extension kit for thermostatic mixing valve - for installation between 80 mm and 125 mm
- Ref. G00-5100G Reinforced stop ring for THG thermostatic with fixing set
- Ref. G00-5200AE/US 3/4" THG thermostat, 60 l/min with wax cartridge, delivered with a built-in box, no trim

## AVAILABLE FINITIONS

Black ceram - D30  
Chrome polished - A02  
Chrome polished / gold polished - G02  
Copper antique matt, coated - H07  
Gold mat - F07  
Gold polished - F01

Light coated bronze - D01  
Matt chrome (American satin) - C02  
Matt nickel (American satin) - C01  
Nickel antique / Sovereign - H28  
Nickel polished - B01  
Soft gold - F30

Soft matt gold - F31