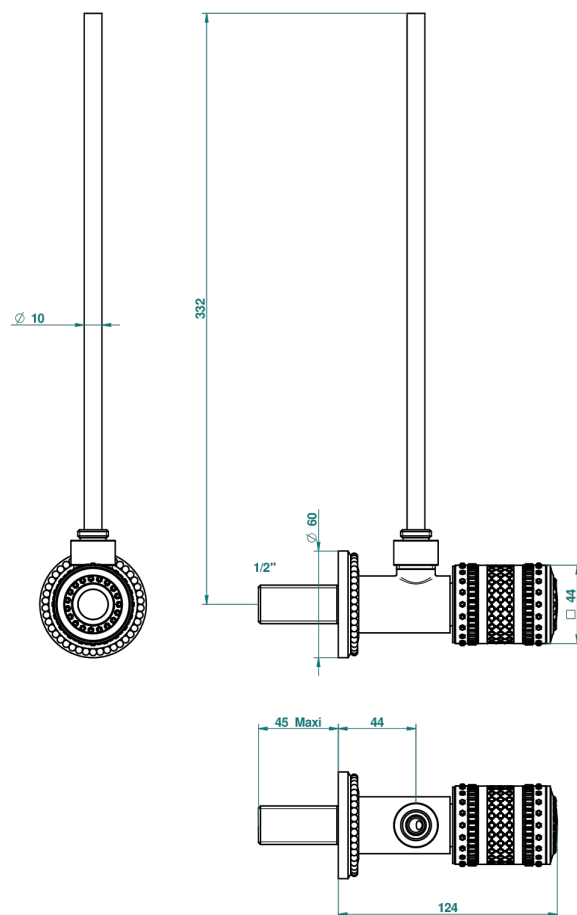


# MONTE CARLO, WHITE GOLD PORCELAIN

U8C-181/S

1/2" stylised adjustable stop cock with 30 cm tube



53566

04/06/2014

## CHARACTERISTIC

- Monte Carlo, white gold porcelain
- 1/2" stylised adjustable stop cock with 30 cm tube

## AVAILABLE FINITIONS

Antique nickel - H28  
Black ceram - D30  
Lacquered light bronze - D01  
Matt chrome - C02  
Matt gold - F07  
Matt nickel (color finish) - C01

Polished chrome (color finish) - A02  
Polished chrome / Polished gold (color finish) - G02  
Polished gold (color finish) - F01  
Polished nickel - B01  
Soft gold - F30  
Soft matt gold - F31

Varnished matt antique red copper (color finish) - H07