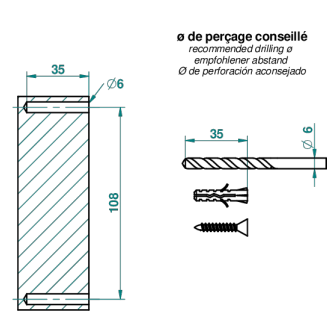
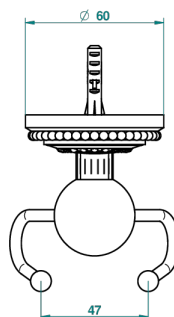
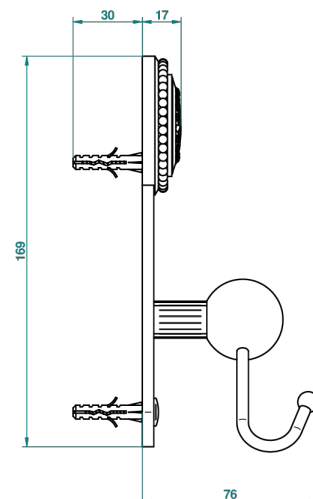
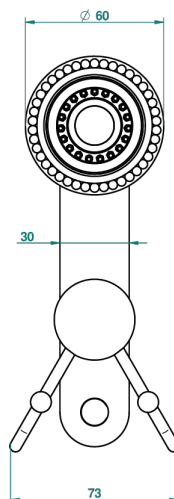
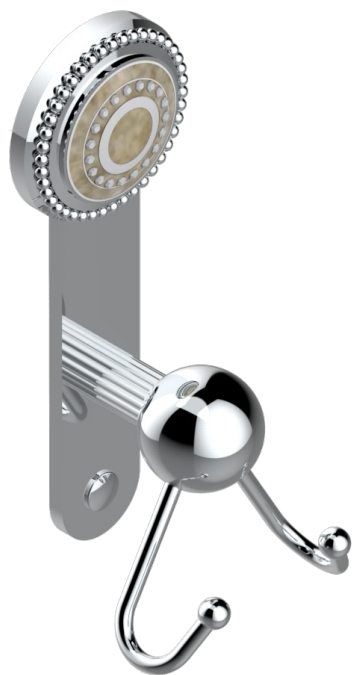


MONTE CARLO, WHITE GOLD PORCELAIN

U8C-512

Double hook



53501

30/06/2014

CHARACTERISTIC

- Monte Carlo, white gold porcelain
- Double hook

AVAILABLE FINITIONS

Antique nickel - H28
Black ceram - D30
Lacquered light bronze - D01
Matt chrome - C02
Matt gold - F07
Matt nickel (color finish) - C01

Polished chrome (color finish) - A02
Polished chrome / Polished gold (color finish) - G02
Polished gold (color finish) - F01
Polished nickel - B01
Soft gold - F30
Soft matt gold - F31

Varnished matt antique red copper (color finish) - H07