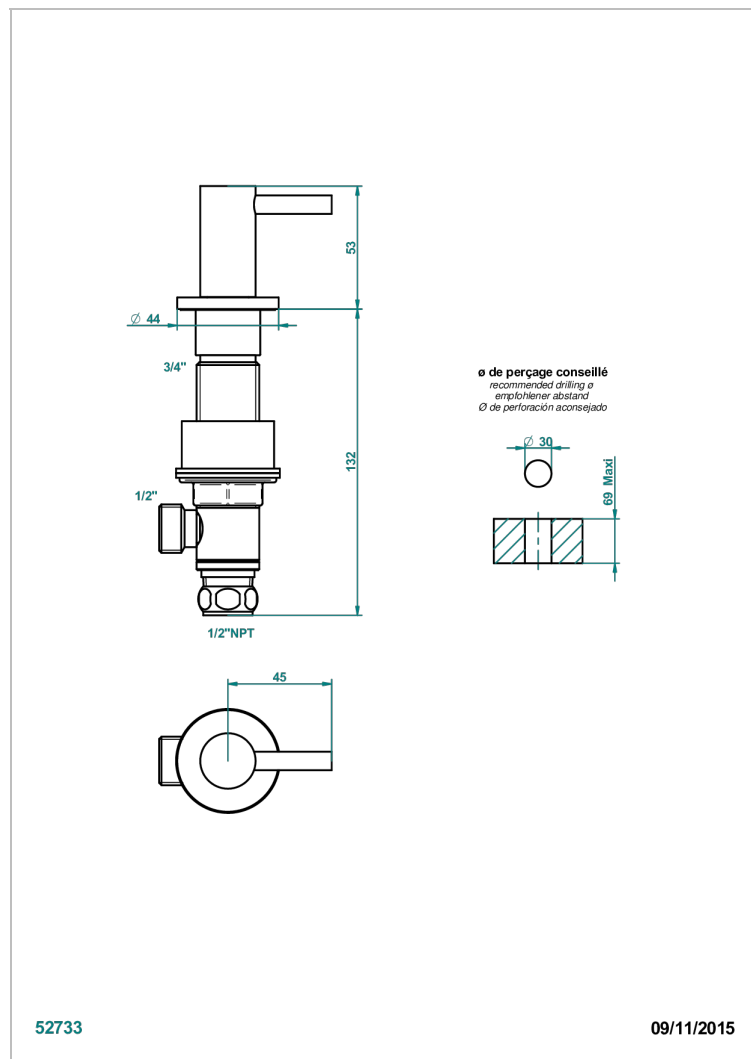


NANO WITH LEVER HANDLES

G5B-35/CUS

THG[®]
PARIS

1/2" deck valve with trim for lavatory - Cold



52733

09/11/2015

CHARACTERISTIC

- Nano with lever handles
- 1/2" deck valve with trim for lavatory - Cold

AVAILABLE FINITIONS

Black ceram - D30
Chrome polished - A02
Chrome polished / gold polished - G02
Gold mat - F07
Gold polished - F01
Matt chrome (American satin) - C02

Matt nickel (American satin) - C01
Nickel antique / Sovereign - H28
Nickel polished - B01
Soft gold - F30
Soft matt gold - F31