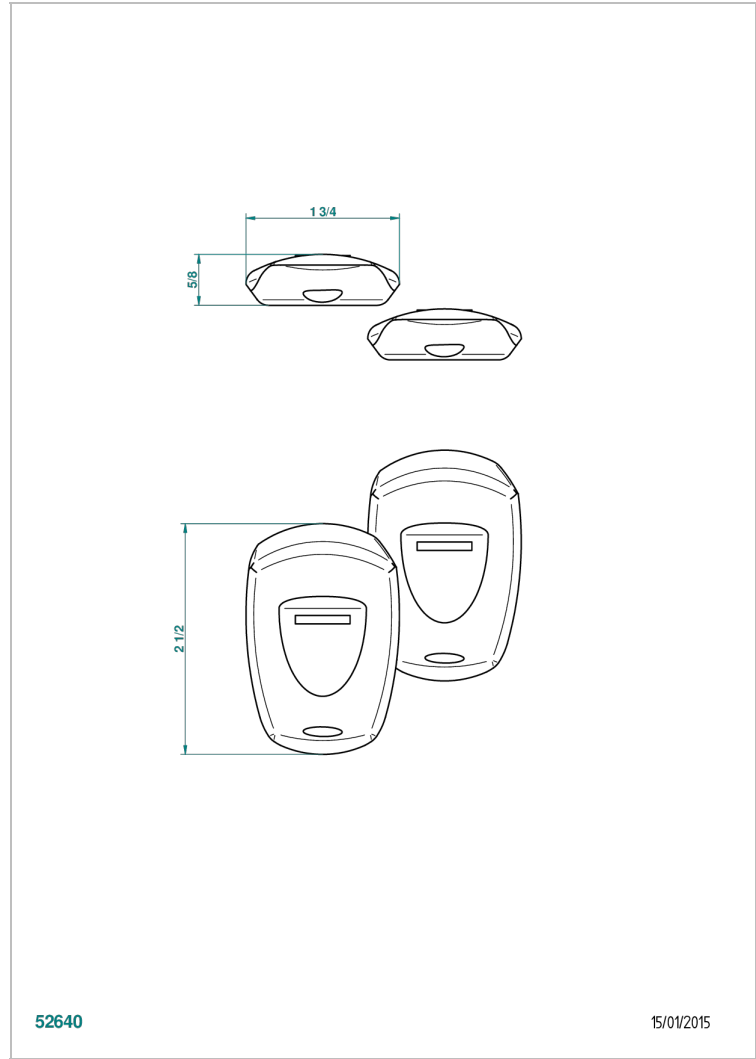
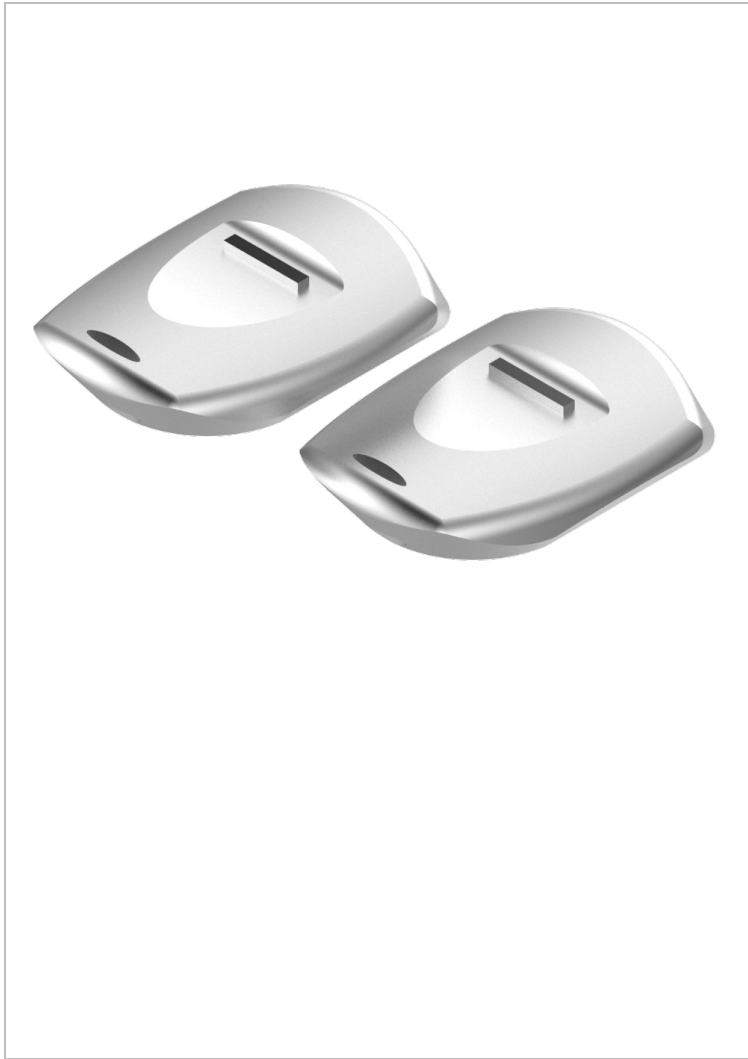


STANDARDARTIKEL

G00-6802

Set of 2 remote controls for LED lighting system



52640

15/01/2015

EIGENSCHAFTEN

- Standardartikel
- Set of 2 remote controls for LED lighting system

VERFÜGBARE OBERFLÄCHEN

*** - A00