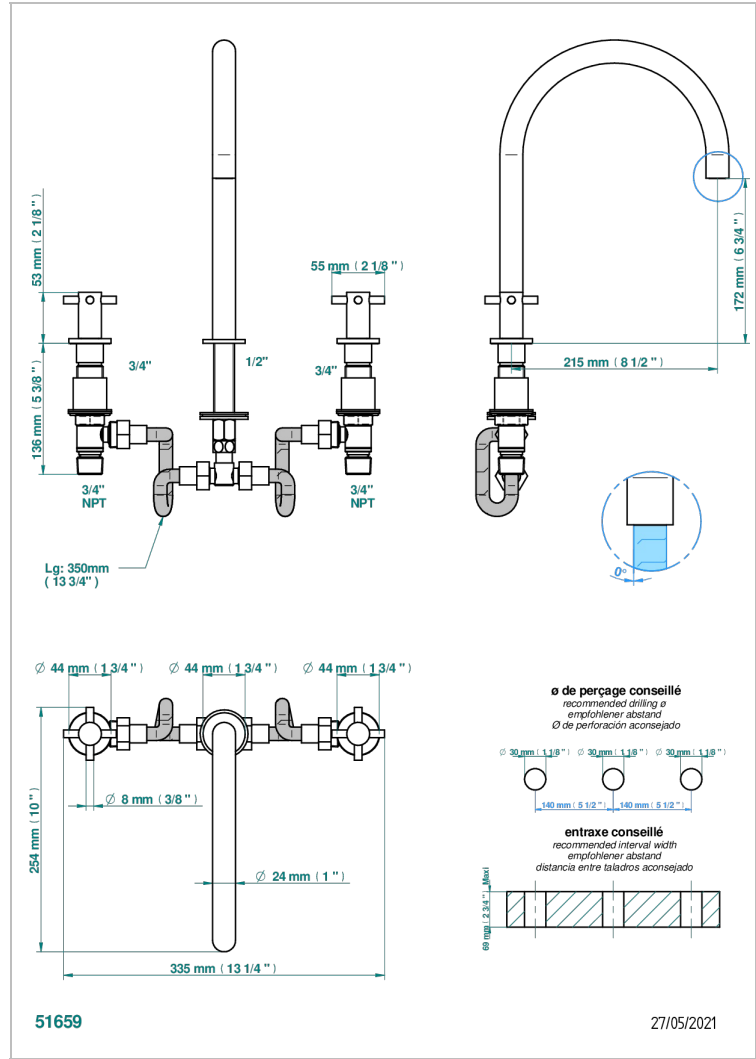


Roman tub set, high spout with 3/4" valves



### CHARACTERISTIC

- Nano
- Roman tub set, high spout with 3/4" valves

### TECHNICAL SPECS

- Reconnmandé : 3 bars (max. 5 bars) - Advised : 43,5 psi (max. 72 psi)
- 48 l/min à 3 bars (12.7 gpm at 43.5 psi)

### AVAILABLE FINITIONS

- Black ceram - D30
- Chrome polished - A02
- Chrome polished / gold polished - G02
- Gold mat - F07
- Gold polished - F01
- Matt chrome (American satin) - C02

- Matt nickel (American satin) - C01
- Nickel antique / Sovereign - H28
- Nickel polished - B01
- Soft gold - F30
- Soft matt gold - F31