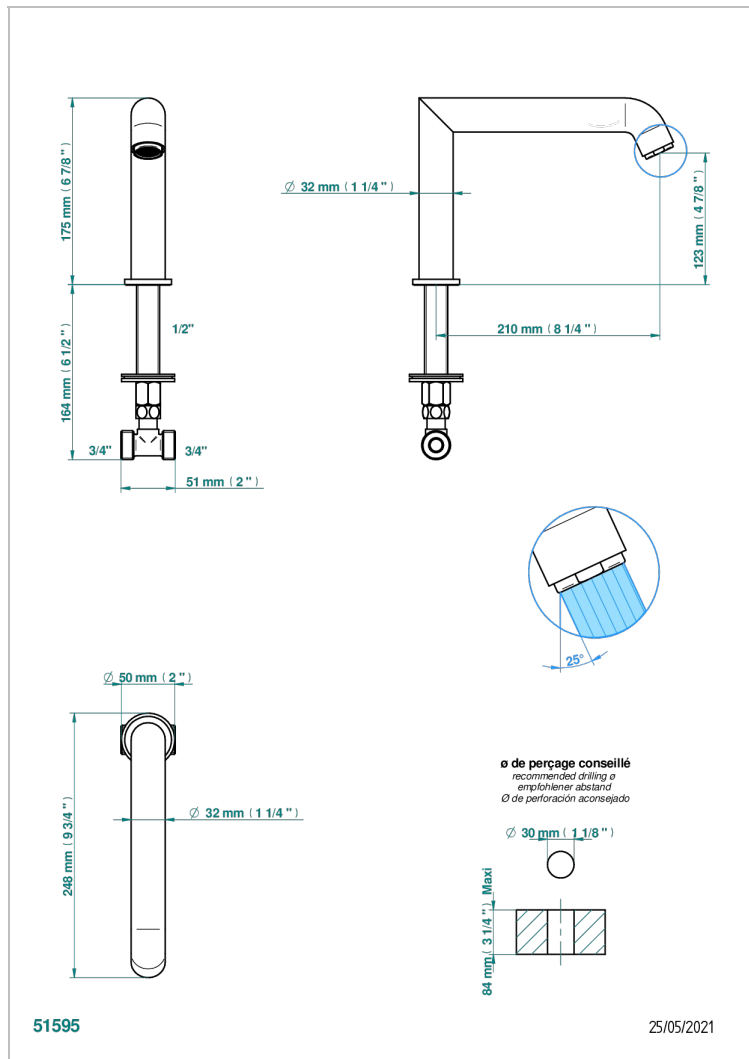


NANO WITH LEVER HANDLES

G5B-29SGB

Tub spout, low



CHARACTERISTIC

- Nano with lever handles
- Tub spout, low

TECHNICAL SPECS

- Recommandé : 3 bars (max. 5 bars) - Advised : 43,5 psi (max. 72 psi)
- Bec : 35 l/min à 3 bars
- Spout : 9.26 gpm at 43.5 psi

AVAILABLE FINITIONS

Black ceram - D30
 Chrome polished - A02
 Chrome polished / gold polished - G02
 Gold mat - F07
 Gold polished - F01
 Matt chrome (American satin) - C02

Matt nickel (American satin) - C01
 Nickel antique / Sovereign - H28
 Nickel polished - B01
 Soft gold - F30
 Soft matt gold - F31