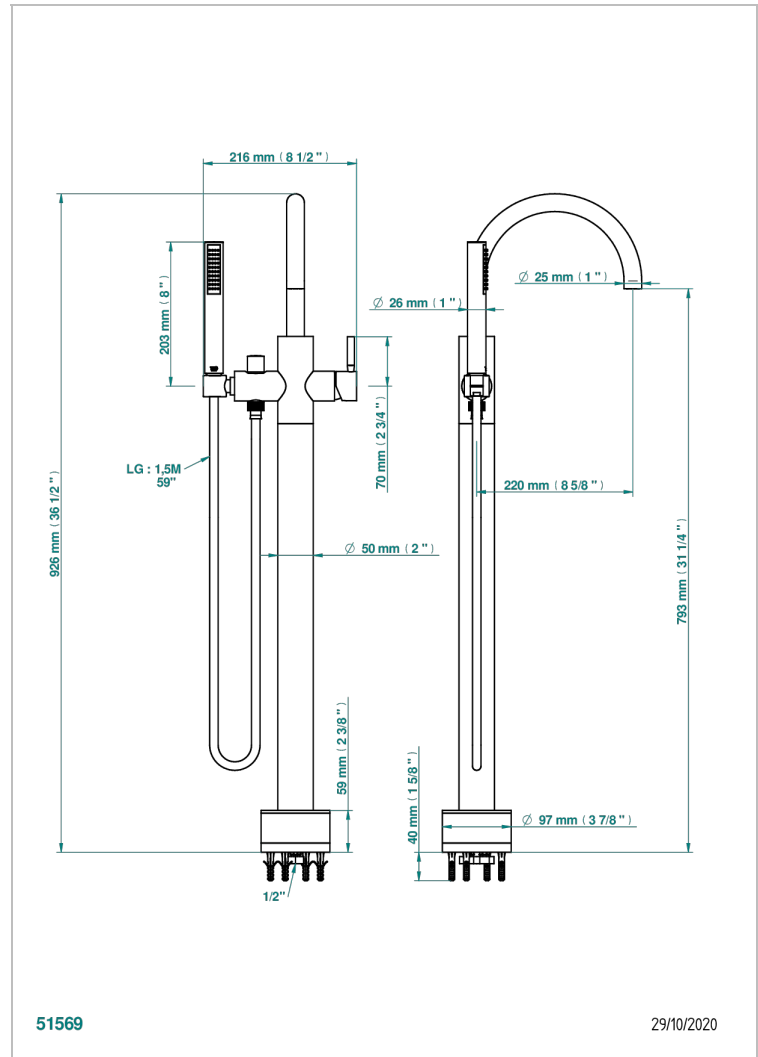


Free-standing bath mixer with handshower with Easyclean system



51569

29/10/2020

### CHARACTERISTIC

- Anova
- Free-standing bath mixer with handshower with Easyclean system

### TECHNICAL SPECS

- Recommandé : 3 bars (max. 5 bars) - Advised : 43,5 psi (max. 72 psi)
- Bec : 22 l/min à 3 bars - Douchette : 9,5 l/min à 3 bars
- Spout : 5.82 gpm at 43.5 psi - Handshower : 2.5 gpm at 43.5 psi

### AVAILABLE FINITIONS

Antique nickel - H28  
Black ceram - D30  
Matt chrome - C02  
Matt gold - F07  
Matt nickel (color finish) - C01  
Polished chrome (color finish) - A02

Polished chrome / Polished gold (color finish) - G02  
Polished gold (color finish) - F01  
Polished nickel - B01  
Soft gold - F30  
Soft matt gold - F31