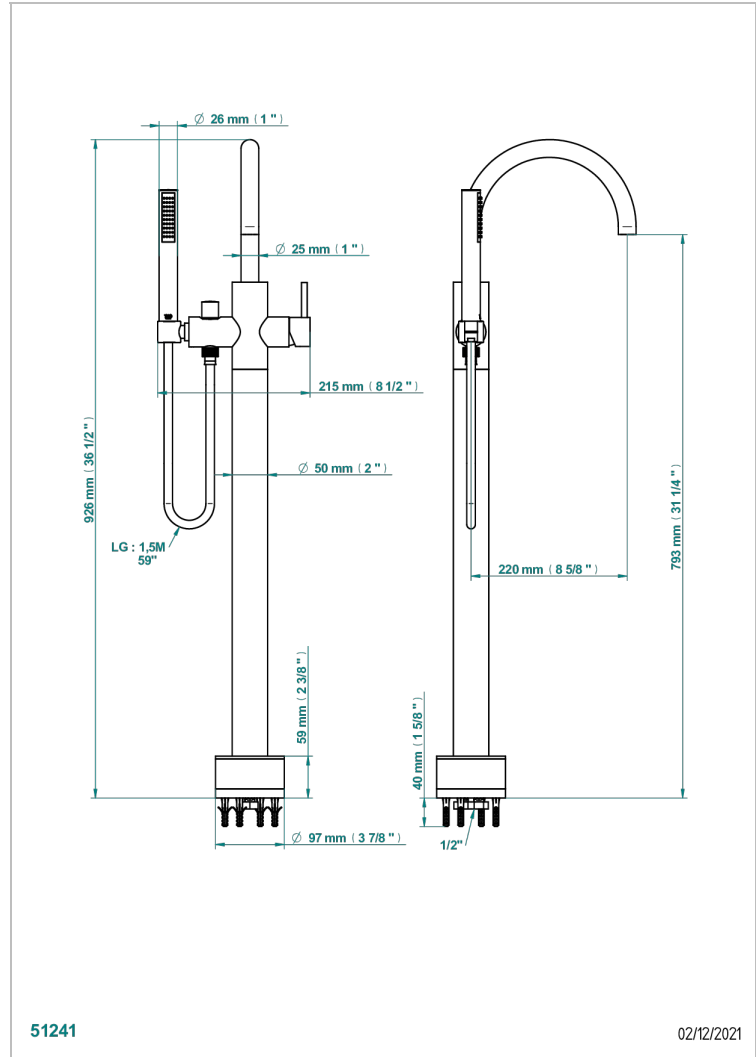


Free-standing bath mixer with handshower with Easyclean system



## CHARACTERISTIC

- Nano
- Free-standing bath mixer with handshower with Easyclean system

## TECHNICAL SPECS

- Recommandé : 3 bars (max. 5 bars) - Advised : 43,5 psi (max. 72 psi)
- Bec : 22 l/min à 3 bars - Douchette : 9,5 l/min à 3 bars
- Spout : 5.82 gpm at 43.5 psi - Handshower : 2.5 gpm at 43.5 psi

## AVAILABLE FINITIONS

- Antique nickel - H28
- Black ceram - D30
- Matt chrome - C02
- Matt gold - F07
- Matt nickel (color finish) - C01
- Polished chrome (color finish) - A02

- Polished chrome / Polished gold (color finish) - G02
- Polished gold (color finish) - F01
- Polished nickel - B01
- Soft gold - F30
- Soft matt gold - F31