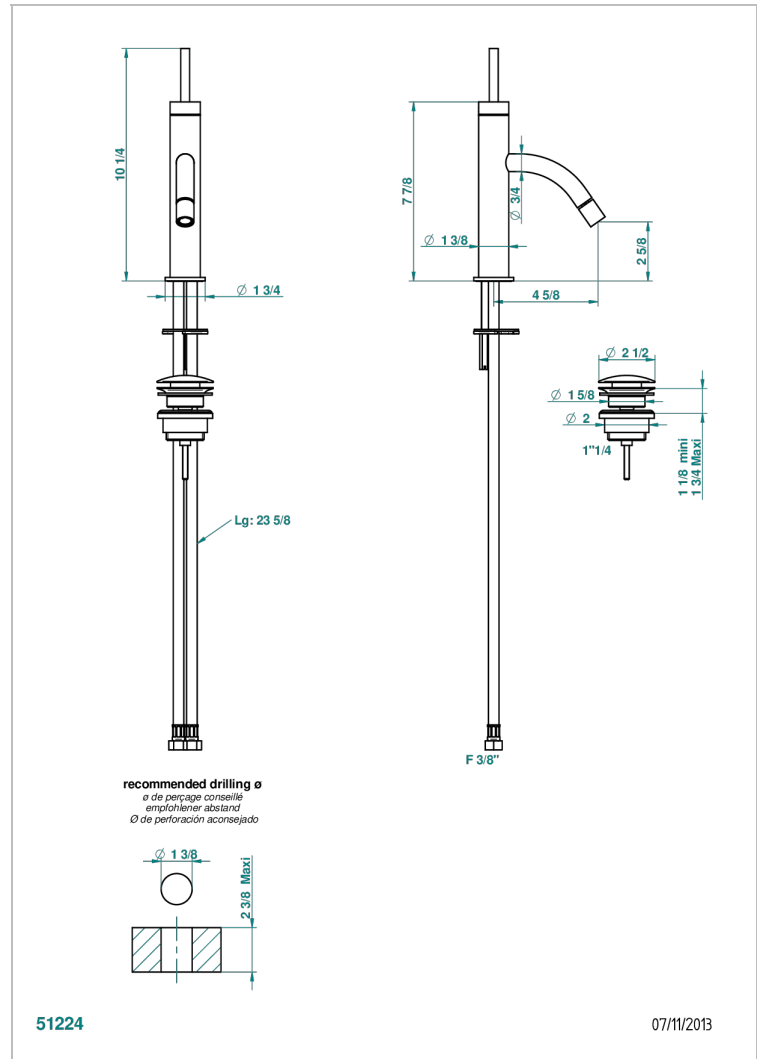


NANO WITH LEVER

G5B-6504

Single lever bidet mixer with waste

THG[®]
PARIS



CHARACTERISTIC

- ACS : 19ACCLY246
- NF : NF EN 817 - IA - Chrome

STANDARDS



TECHNICAL SPECS

- Recommandé : 3 bars (max. 5 bars) - Advised : 43,5 psi (max. 72 psi)
- 8,3 l/min à 3 bars (2.2 gpm at 43.5 psi)

AVAILABLE FINITIONS

- Antique nickel - H28
- Black ceram - D30
- Matt chrome - C02
- Matt gold - F07
- Matt nickel (color finish) - C01
- Polished chrome (color finish) - A02

- Polished chrome / Polished gold (color finish) - G02
- Polished gold (color finish) - F01
- Polished nickel - B01
- Soft gold - F30
- Soft matt gold - F31