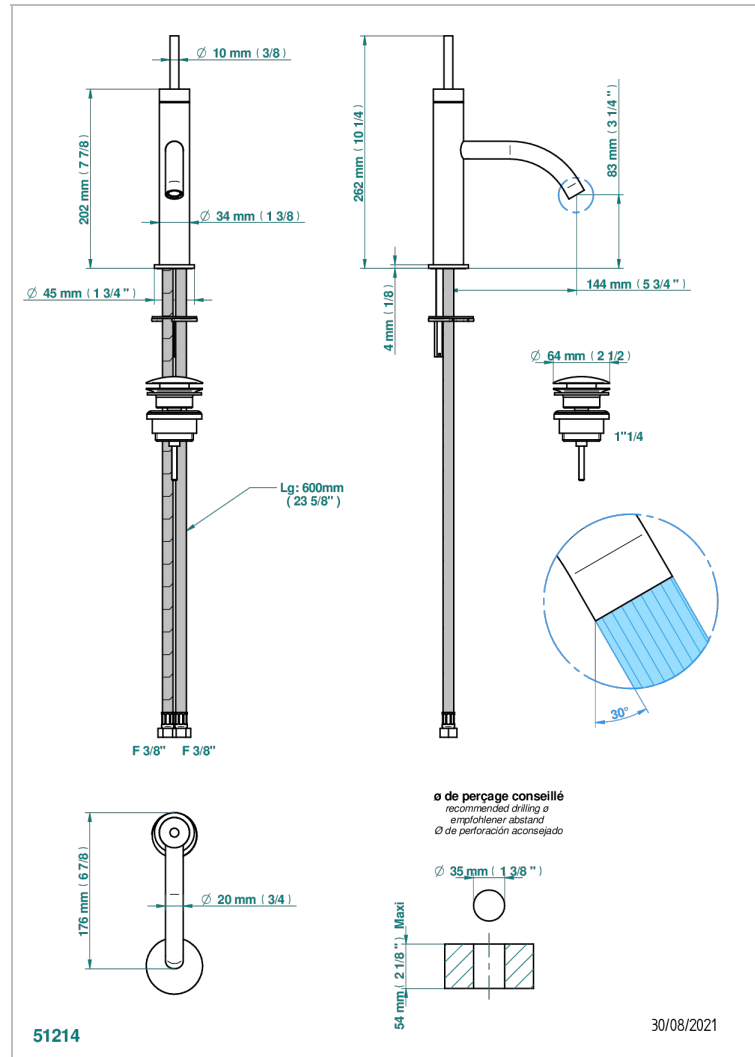


Single lever basin mixer with waste



CHARACTERISTIC

- ACS : 19ACCLY542

STANDARDS



AVAILABLE FINITIONS

Antique nickel - H28
 Black ceram - D30
 Matt chrome - C02
 Matt gold - F07
 Matt nickel (color finish) - C01
 Polished chrome (color finish) - A02

TECHNICAL SPECS

- Recommandé : 3 bars (max. 5 bars) - Advised : 43,5 psi (max. 72 psi)
- 8,3 l/min à 3 bars (2.2 gpm at 43.5 psi)

Polished chrome / Polished gold (color finish) - G02
 Polished gold (color finish) - F01
 Polished nickel - B01
 Soft gold - F30
 Soft matt gold - F31