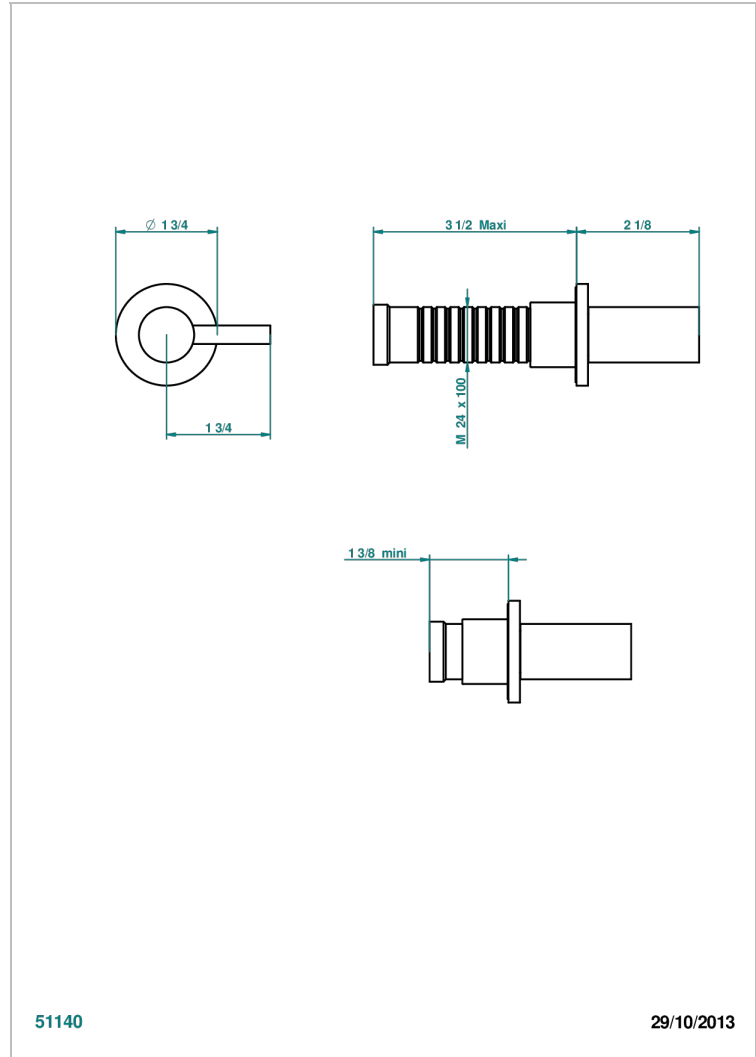


NANO WITH LEVER HANDLES

G5B-30B

Wall volume control 30 & 32 trim



51140

29/10/2013

CHARACTERISTIC

- Nano with lever handles
- Wall volume control 30 & 32 trim

RELATED SKU'S

- Ref. G00-32CUSA 3/4" Volume control wall valve with ceramic cartridge
- Ref. G00-32HUSA 3/4" Volume control wall valve with ceramic cartridge counterclockwise
- Ref. G00-30CUSA 1/2" volume control wall valve with ceramic cartridge
- Ref. G00-30HUSA 1/2" Volume control wall valve with ceramic cartridge counterclockwise

AVAILABLE FINITIONS

Black ceram - D30
Chrome polished - A02
Chrome polished / gold polished - G02
Gold mat - F07
Gold polished - F01
Matt chrome (American satin) - C02

Matt nickel (American satin) - C01
Nickel antique / Sovereign - H28
Nickel polished - B01
Soft gold - F30
Soft matt gold - F31