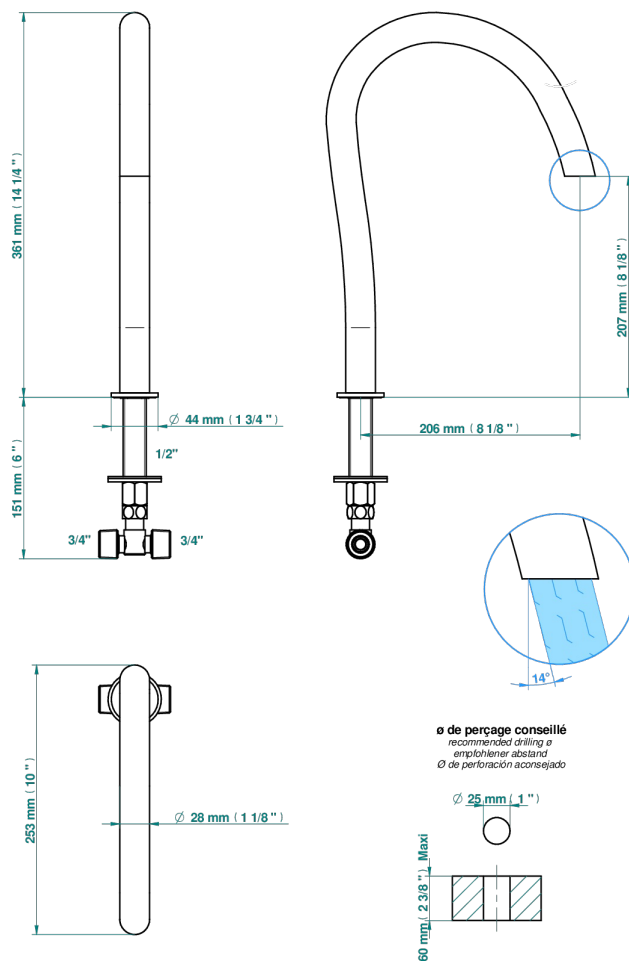


BEYOND CRYSTAL - RED CRYSTAL

U6H-29SG

Bathtub spout

THG[®]
PARIS



50733

21/12/2022

CHARACTERISTIC

- Beyond Crystal - Red crystal
- Bathtub spout

TECHNICAL SPECS

- Recommandé : 3 bars (max. 5 bars) - Advised : 43,5 psi (max. 72 psi)
- 48 l/min à 3 bars (12.7 gpm at 43.5 psi)

AVAILABLE FINITIONS

Black ceram - D30
Blush PVD - H62
Brass color PVD - H49
Brown bronze color PVD - F33
Chrome polished - A02
Chrome polished / gold polished - G02

Gold color PVD - H52
Gold mat - F07
Gold polished - F01
Graphite PVD - H64
Matt Umber PVD - H67
Matt blush PVD - H60

Matt brass color PVD - H50
Matt brown bronze color PVD - F34
Matt chrome (American satin) - C02
Matt gold color PVD - H53
Matt graphite PVD - H65
Matt nickel color PVD - H56

Nickel antique / Sovereign - H28
Nickel color PVD - H55
Soft gold - F30
Soft matt gold - F31
Umber PVD - H66