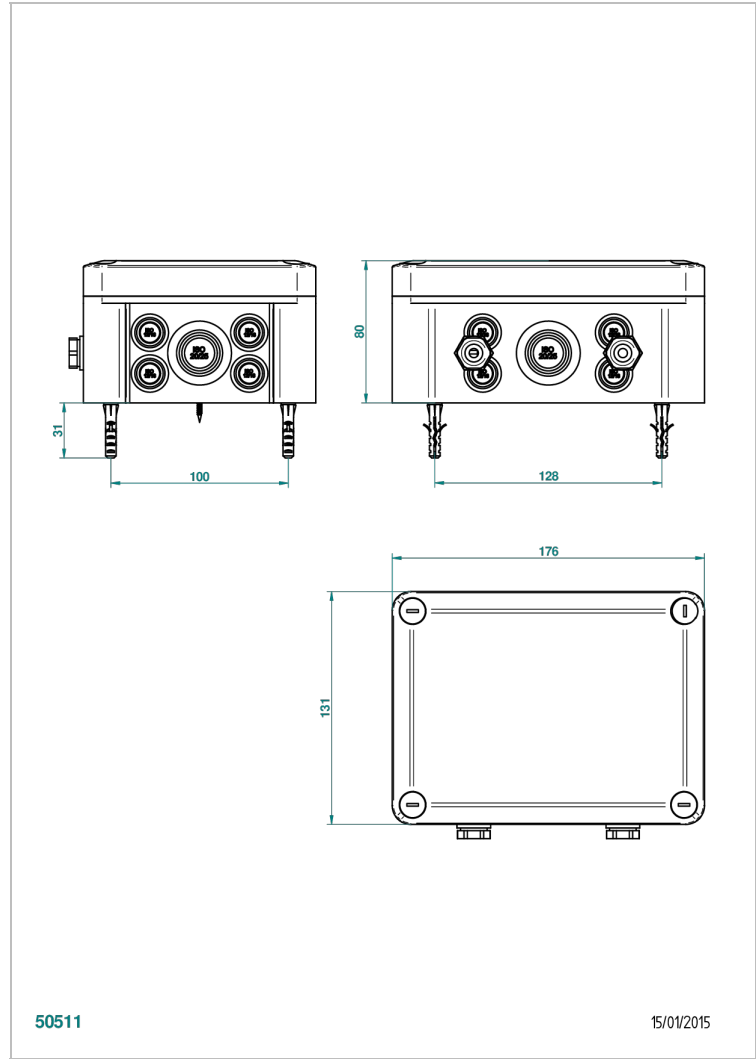


# GENERAL ITEMS

G00-6801

Electronic card and inlet for LED lighting system



50511

15/01/2015

## CHARACTERISTIC

- General Items
- Electronic card and inlet for LED lighting system

## AVAILABLE FINITIONS

\*\*\* - A00