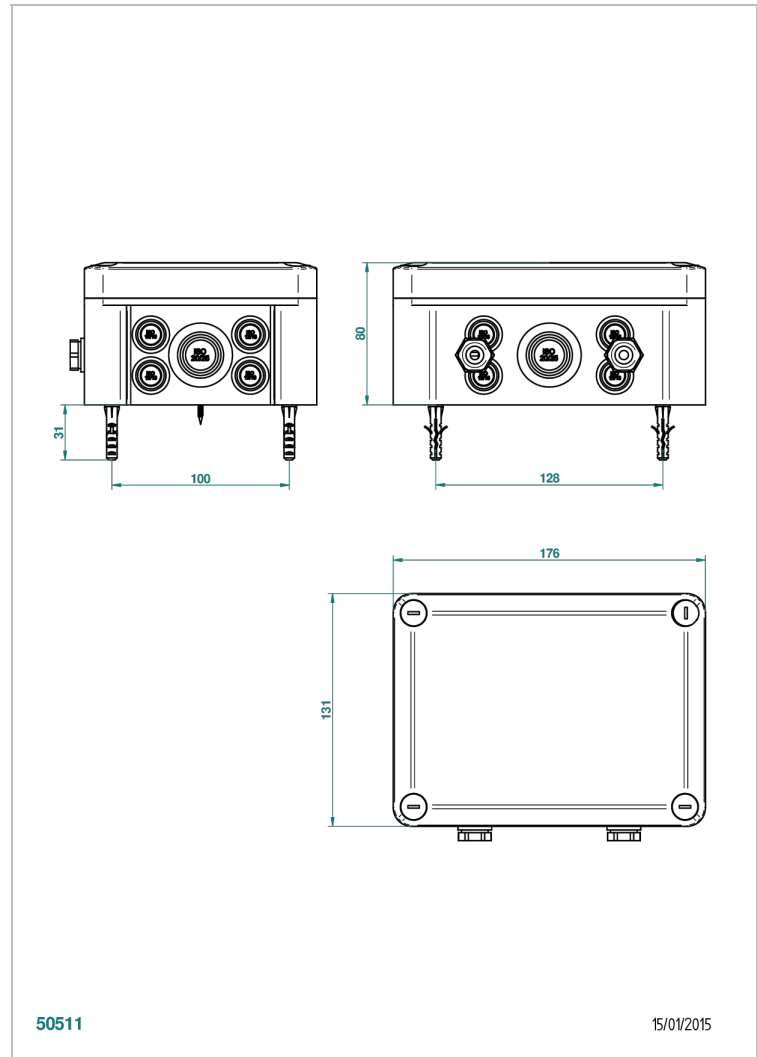


# STANDARDARTIKEL

G00-6801

Electronic card and inlet for LED lighting system



50511

15/01/2015

## EIGENSCHAFTEN

- Standardartikel
- Electronic card and inlet for LED lighting system

## VERFÜGBARE OBERFLÄCHEN

\*\*\* - A00