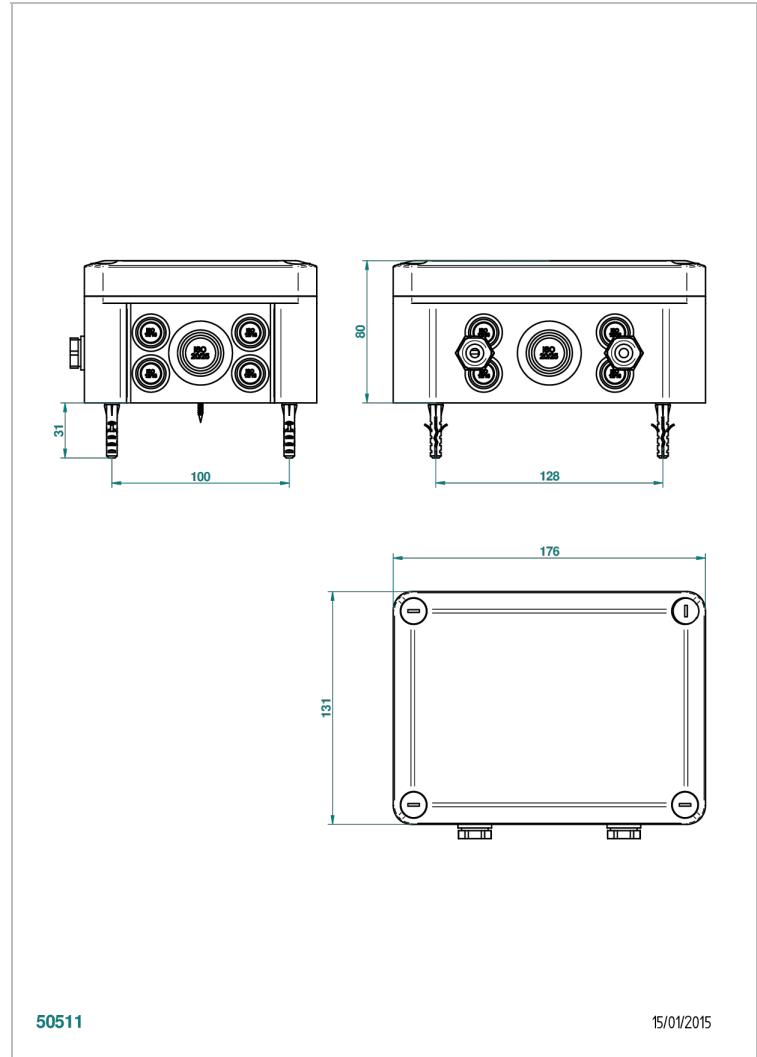


STANDARDARTIKEL

G00-6801

Electronic card and inlet for LED lighting system



50511

15/01/2015

EIGENSCHAFTEN

- Standardartikel
- Electronic card and inlet for LED lighting system

VERFÜGBARE OBERFLÄCHEN

*** - A00