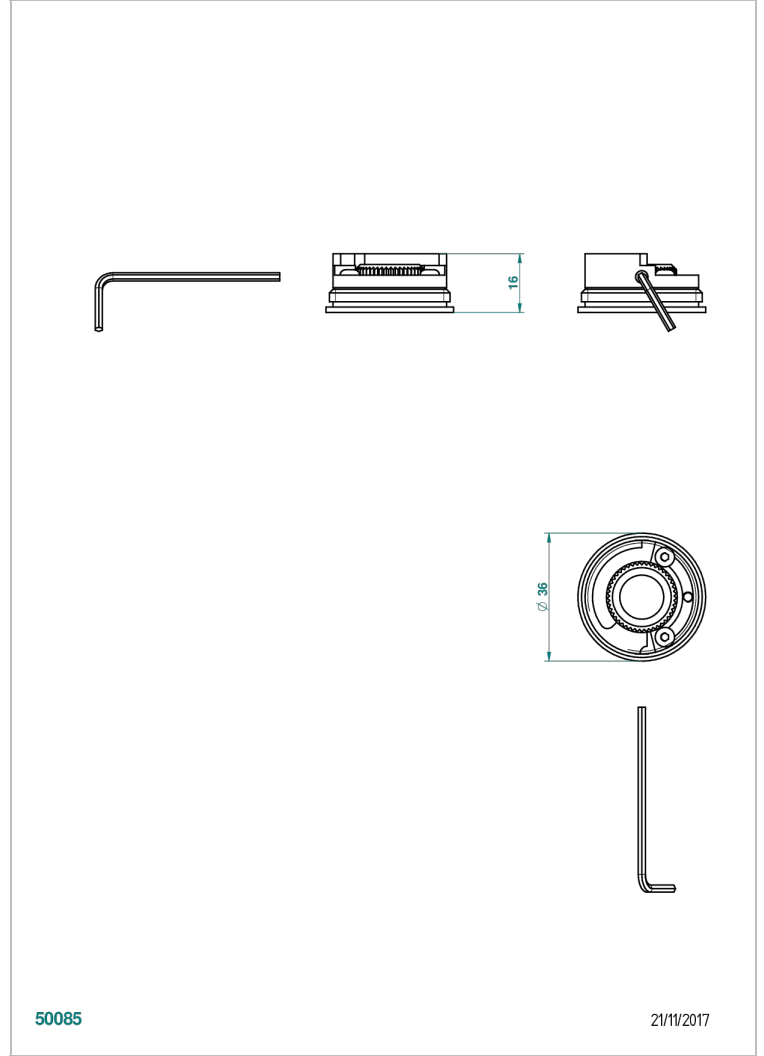
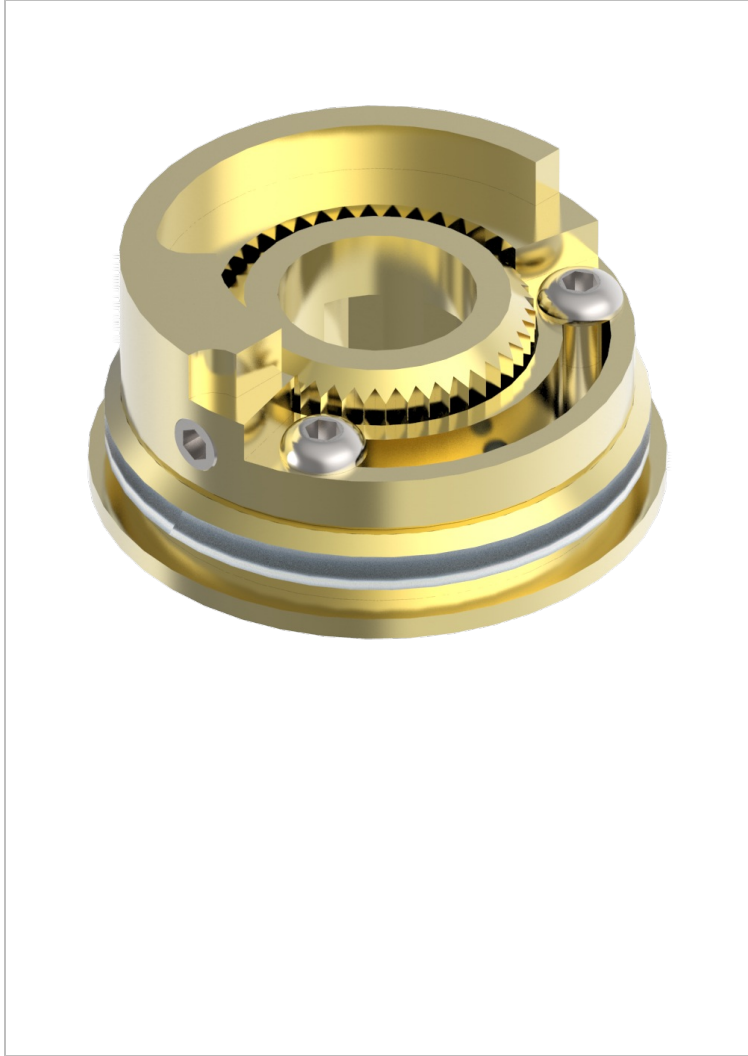


# GENERAL PRODUCTS

G00-5100G

Reinforced stop ring for THG thermostatic with fixing set



50085

21/11/2017

## CHARACTERISTIC

- For intensive use (hotels)

## AVAILABLE FINITIONS

\*\*\* - A00