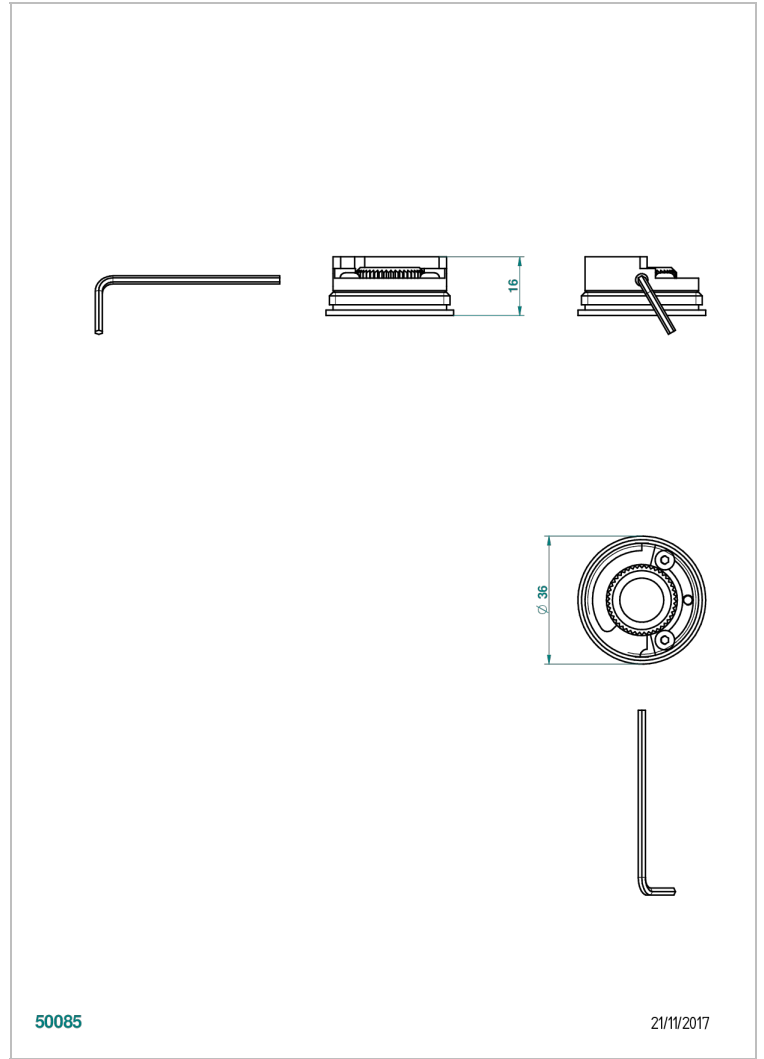


GENERAL ITEMS

G00-5100G

Reinforced stop ring for THG thermostatic with fixing set



CHARACTERISTIC

- For intensive use (hotels)

AVAILABLE FINITIONS

*** - A00